

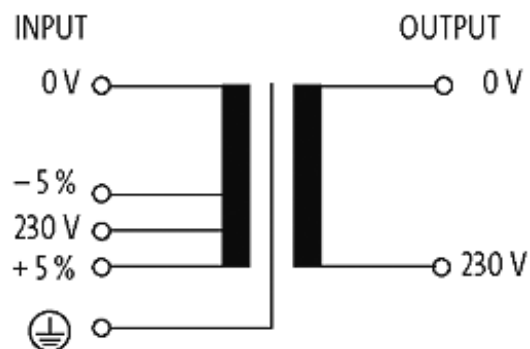
## MET 1-PHASE CONTROL AND ISOLATION TRANSFORMER

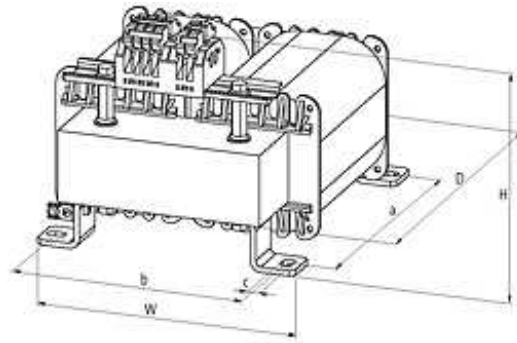
P: 3000VA IN: 230VAC+/- 5% OUT: 230VAC

Single-phase - Control and Isolation Transformers  
 3000 VA  
 Spring clamp terminals  
 Isolation class T 40/B

### [Link to Product](#)

#### Illustration





Product may differ from Image

### Approvals



### Input

Input voltage	230 V AC $\pm 5\%$
Frequency	230 V AC $\pm 5\%$
Input current	13.6 A (230 V AC)
Short-circuit current	623.9 A (230 V AC)
Inrush current	209.9 A (230 V AC)

### General data

Standards	EN 61558-1, EN 61558-2-4, EN 62041 category 0
Test isolation voltage	4 kV (prim./sec.)
Dimensions H x W x D	195x198x250 mm
Fixing centers a x b x c	200x174x9 mm
Drill hole $\emptyset$	9x14 mm
Mounting method	Long-hole mounting
Temperature range	-20...+40 °C, no condensation

### Output

Output voltage	230 V AC
----------------	----------

### Commercial data

country of origin	CZ
customs tariff number	85043200
minimum order quantity	1