

MIRO SAFE+ E 24

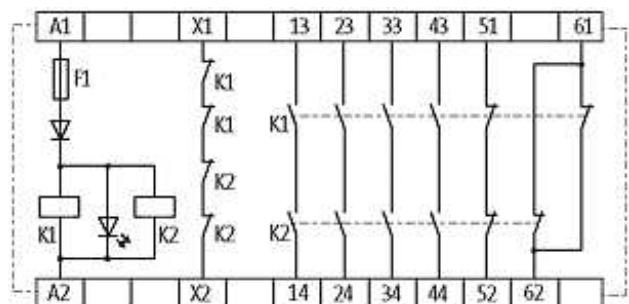
24 VAC/DC - 4 N/O contact / 2 N/C contact

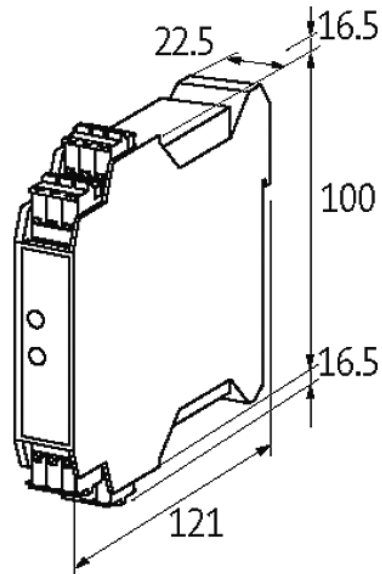
6 A

Expansion modules

[Link to Product](#)

Illustration





Product may differ from Image

Approvals



Input

| | |
|---------------|--|
| Input voltage | 24 V DC (-15/+20 %), 24 V AC (-15/+10 %) |
| Input current | max. 1.0 VA |

Safety Indicators

| | |
|--------------|----------|
| PL | up to e |
| Category | up to 4 |
| DC | 99 % |
| SIL | up to 3 |
| Service life | 20 years |

Utilization category

| | |
|--------------------------|--|
| Safety contacts (STOP 0) | max. 250 V AC/6 A; min. 10 V AC/10 mA (ohm./ind.), at suitable suppression |
| AC-15 | 6 A (230 V AC) |
| DC-13 | 6 A (24 V DC) |

General data

| | |
|----------------------|---|
| Mech./ elect. life | 10.000.000 switching cycles/load dependent |
| Connection | Spring clamp plug-in terminals |
| Mounting method | DIN-rail mountable (EN 60715) |
| Dimensions H × W × D | 100×22.5×121 mm |
| Temperature range | -25...+45 °C (storage temperature -40...+85 °C) |

Output

The information in this brochure has been compiled with the utmost care.

Liability for the correctness completeness and topicality of the information is restricted to gross negligence. Version: 05/16

| | |
|------------------------------|---|
| Switching voltage | max. 250 V AC/DC |
| Switching current per output | max. 6 A |
| Number of auxiliary contacts | 2 - (51-52); (61-62) |
| Number of alarm outputs | 0 |
| Number of contacts | 4 - (13-14); (23-24); (33-34); (43-44) |
| Contact material | AgSnO, self cleaning, positively driven |

Commercial data

| | |
|------------------------|----------|
| country of origin | DE |
| customs tariff number | 85364900 |
| minimum order quantity | 1 |