

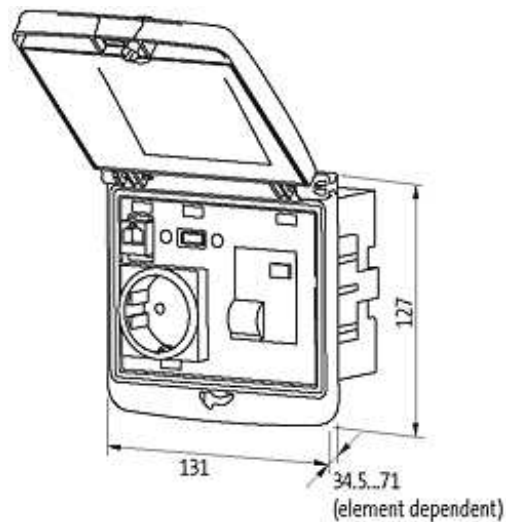
Modlink MSDD-set: Frame 4000-68522-0000001,

insert 4000-68000-4300003

[Link to Product](#)

Illustration





Product may differ from Image

Frame

suitable for mounting with wall thickness	1...5 mm
Protection	IP65
Housing	Zinc die-casting, with surface finishing
Temperature range	-10...+60 °C (storage temperature -25...+60 °C)
Shielded	yes

Communication inserts

Article number	4000-68000-4300003
Operating voltage	250 V AC
Operating current	max. 16 A
Connection	Spring clamp terminals
Mounting depth mounted	approx. 70 mm

RJ45

Operating voltage	max. 30 V AC/42.4 V DC
-------------------	------------------------

Operating current	max. 175 mA
Locking of ports	staple
Specification	CAT6, class EA (ISO/IEC 11801:2002), (EN 50173-1)
Mounting depth mounted	approx. 32 mm
Shielded	yes

Commercial data

country of origin	CZ
customs tariff number	85389099
minimum order quantity	1