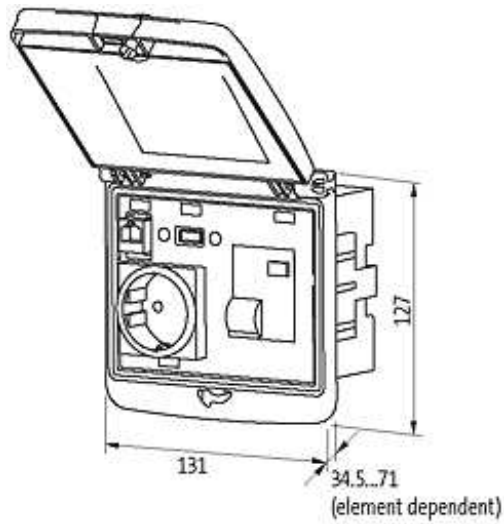


Modlink MSDD-set: Frame 4000-68523-0000001,
insert 4000-68000-0010000 + 4000-68000-1200000

[Link to Product](#)

Illustration





Product may differ from Image

Frame

The information in this brochure has been compiled with the utmost care.

Liability for the correctness completeness and topicality of the information is restricted to gross negligence. Version: 05/16

suitable for mounting with wall thickness	1...5 mm
Protection	IP65
Housing	Zinc die-casting, with surface finishing
Temperature range	-10...+60 °C (storage temperature -25...+60 °C)
Shielded	yes

Sockets

Operating voltage	max. 250 V AC
Operating current	max. 16 A
Connection	Screw terminals: max. 6 mm ²

Communication inserts

Article number	4000-68000-1200000
Operating voltage	SUB-D: max. 125 V AC/150 V DC; RJ45: max. 48 V AC/DC; RJ12: max. 48 V AC/DC; USB: max. 30 V AC/DC; PS2: max. 30 V AC/DC; DVI: max. 40 V AC
Operating current	SUB-D: max. 3 A; RJ45: max. 1 A; RJ12: max. 1 A; USB: max. 1 A; PS2: max. 1 A; DVI: max. 1.5 A
Connection cross section	SUB-D: max. 0.5 mm ² (AWG 20); PS2: max. 0.22 mm ² (AWG 24)
Locking of ports	SUB-D: UNC 4...40 bolt; RJ45: staple; RJ12: staple; USB: snap-in; PS2: snap-in
Specification	SUB-D: (DIN 41652/IEC 60807-1); RJ45: CAT5e (100 MHz - Mbit/s); USB: 2.0/Type 2dB (max. 480 Mbit/s)
Mounting depth mounted	SUB-D: approx. 32 mm; RJ45: approx. 32 mm; RJ12: approx. 32 mm; USB: approx. 80 mm; PS2: approx. 32 mm
Shielded	yes

RJ45

Operating voltage	max. 30 V AC/42.4 V DC
Operating current	max. 175 mA
Locking of ports	staple
Specification	CAT6, class EA (ISO/IEC 11801:2002), (EN 50173-1)
Mounting depth mounted	approx. 32 mm
Shielded	yes

Commercial data

country of origin	CZ
customs tariff number	85389099
minimum order quantity	1