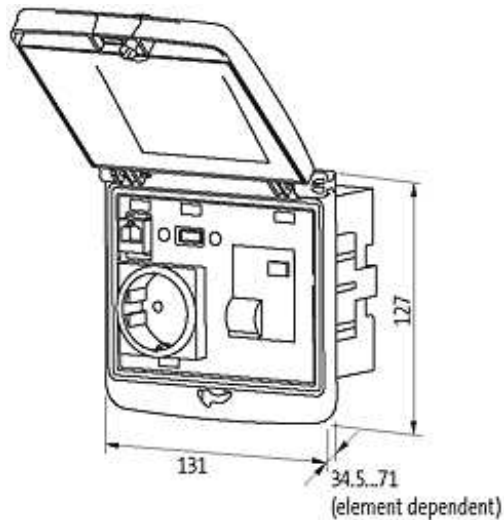


Modlink MSDD-set: Frame 4000-68523-0000001,

insert 4000-68000-4120000

- 2 × NEMA-GFCI 5-15 (screw terminals)
- 2 × RJ45, 8-pole metal, CAT5e (female/female)
- 1 × fuse (3 A)

[Link to Product](#)**Illustration**



Product may differ from Image

General data

Dimensions H × W × D 88×116×72 mm

Frame

suitable for mounting with wall thickness 1...5 mm

Protection IP65

Housing Zinc die-casting, with surface finishing

Temperature range -10...+60 °C (storage temperature -25...+60 °C)

Shielded yes

Communication inserts

Article number 4000-68000-4120000

Operating voltage max. 125 V AC

Operating current max. 15 A

Fuse 3 A

Connection Screw terminals

Mounting depth mounted	approx. 70 mm
------------------------	---------------

RJ45

Operating voltage	max. 30 V AC/42.4 V DC
-------------------	------------------------

Operating current	max. 175 mA
-------------------	-------------

Locking of ports	staple
------------------	--------

Specification	CAT6, class EA (ISO/IEC 11801:2002), (EN 50173-1)
---------------	---

Mounting depth mounted	approx. 32 mm
------------------------	---------------

Shielded	yes
----------	-----

Commercial data

country of origin	CZ
-------------------	----

customs tariff number	85389099
-----------------------	----------

minimum order quantity	1
------------------------	---