

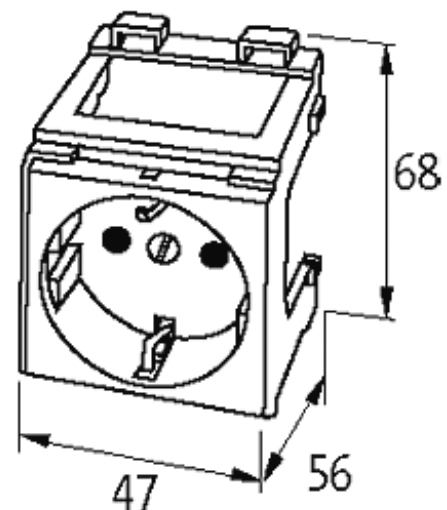
MODLINK MSVD CABINET POWER OUTLETS

Australia 240VAC /15A

Australia (white)
Screw terminals

[Link to Product](#)

Illustration



Product may differ from Image

General data

Mounting method	DIN-rail mountable (EN 60715)
Connection	Screw terminals: max. 2 × 4 mm ²
Dimensions H × W × D	68×47×56 mm

Technical Data

Operating voltage	max. 240 V AC
Operating current	max. 15 A

Commercial data

country of origin	CN
customs tariff number	85366990
minimum order quantity	1