

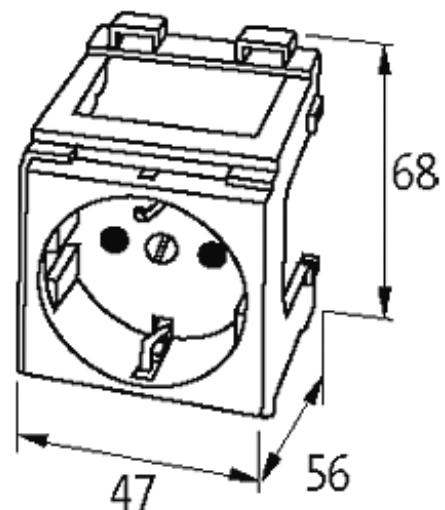
MODLINK MSVD CABINET POWER OUTLETS

Switzerland 250V AC / 10 A

Swiss (white)
Spring clamp terminals

[Link to Product](#)

Illustration



Product may differ from Image

General data

Mounting method	DIN-rail mountable (EN 60715)
Connection	Spring clamp terminals: max. 2 × 1.5 mm ² (AWG 16)
Dimensions H × W × D	68×47×56 mm

Technical Data

Operating voltage	max. 250 V AC
Operating current	max. 10 A

Commercial data

country of origin	HU
customs tariff number	85366990
minimum order quantity	1