

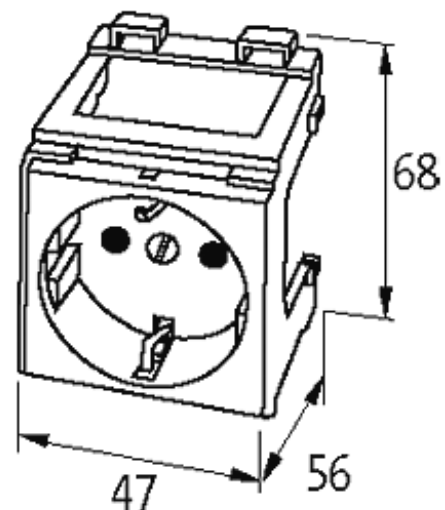
MODLINK MSVD CABINET POWER OUTLETS

Denmark 250V AC / 13 A, spring clamp terminals

Denmark (white)
Spring clamp terminals

[Link to Product](#)

Illustration



Product may differ from Image

General data

Mounting method	DIN-rail mountable (EN 60715)
Connection	Spring clamp terminals: max. 2 × 2.5 mm ² (AWG 14)
Dimensions H × W × D	68×47×56 mm

Technical Data

Operating voltage	max. 250 V AC
Operating current	max. 13 A

Commercial data

country of origin	DE
customs tariff number	85366990
minimum order quantity	1