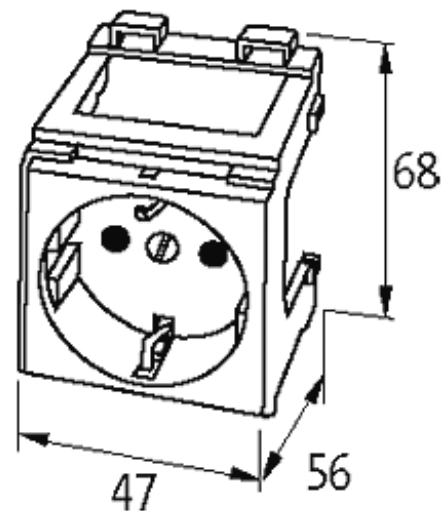


CHINA SOCKET MODULE

China (white)
Screw terminals

[Link to Product](#)

Illustration



Product may differ from Image

Approvals



General data

Mounting method	DIN-rail mountable (EN 60715)
Connection	Screw terminals: max. 2 × 4 mm ²
Dimensions H × W × D	68×47×57 mm

Technical Data

Operating voltage	max. 250 V AC
Operating current	max. 10 A

Commercial data

country of origin	FR
customs tariff number	85366990
minimum order quantity	1