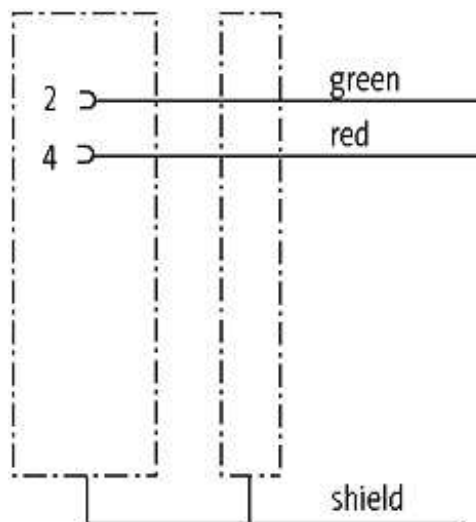


**M12 female 90° shielded B-cod.with cable, Profibus**

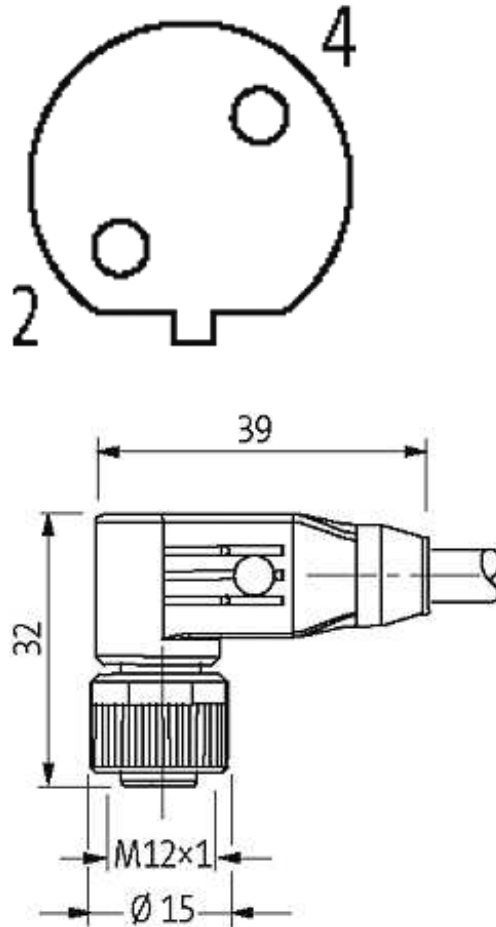
PVC 1x2xAWG24 shielded vt UL/CSA 10m

M12  
Female 90°  
PROFIBUS, B-coded  
2-pole, shielded

Plastic housings with good resistance against chemicals and oils. The resistance to aggressive media should be individually tested for your application. Further details on request. Further cable lengths on request.

[Link to Product](#)**Illustration**

# Female



Product may differ from Image

## Approvals



\* only for products with UL/CSA approved cable

## More Info



## Form

Form

14071

## Cables

|                             |                             |
|-----------------------------|-----------------------------|
| Cable number                | 850                         |
| No./diameter of wires       | 1 × 2 × Ø 0.64 mm, (violet) |
| Wire isolation              | PE (rd, gn)                 |
| C-track properties          | 2 Mio.                      |
| Jacket Color                | violet                      |
| Shore hardness outer jacket | 85 ± 5A                     |
| Material (jacket)           | PVC (UL)                    |
| Outer Ø                     | approx. 7.8 mm              |
| Bend radius (fixed)         | 7.5 × outer Ø               |
| Bend radius (moving)        | 12 × outer Ø                |
| Temperature range (fixed)   | -25...+70 °C                |
| Temperature range (mobile)  | -20...+50 °C                |
| Shielded                    | yes                         |

#### General data

|                   |  |
|-------------------|--|
| Temperature range | -25...+85 °C, depending on cable quality |
|-------------------|--|

#### Technical Data

|                                    |   |
|------------------------------------|---|
| Operating voltage                  | max. 60 V AC/DC   |
| Operating voltage (only UL listed) | max. 30 V AC/DC   |
| Operating current per contact      | max. 4 A  |
| Locking of ports                   | Screw thread M12 × 1 mm (recommended torque 0.6 Nm) self-securing |
| Locking material                   | Zinc die casting, matte nickel plated                             |
| Protection                         | IP66K, IP67 inserted and tightened (EN 60529)                     |

#### Commercial data

|                        |          |
|------------------------|----------|
| country of origin      | DE       |
| customs tariff number  | 85444290 |
| minimum order quantity | 1        |