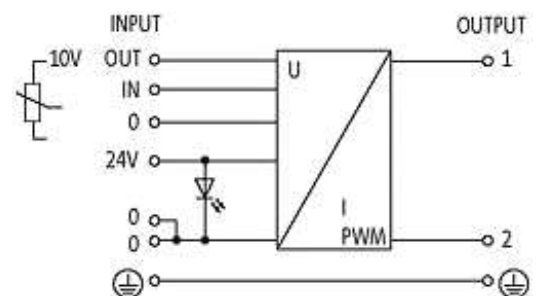


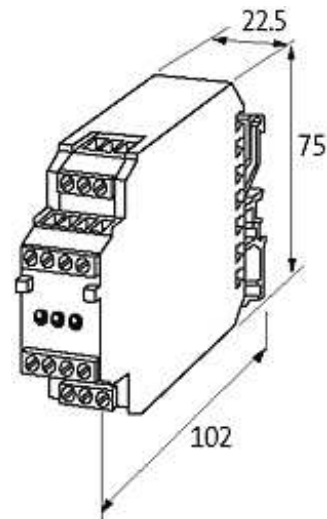
**PROPORTIONAL AMPLIFIER, SNAP-ON**

Startup time 1 second

Control electronics for proportional valves  
18...32 V DC, smoothed (2200  $\mu$ F/1 A)  
Screw terminals  
Start-up: 1 s

[Link to Product](#)**Illustration**

stay connected



Product may differ from Image

### Input

Control voltage	0...10 V DC (unipolar)
Input resistor	approx. 200 kOhm
FSU (Fast-Start-Up)	1 s

### General data

Dimensions H × W × D	75×22.5×102 mm
Connection	Screw terminals
Mounting method	DIN-rail mountable (EN 60715)
Temperature range	-20...+60 °C

### Technical Data

Operating voltage	18...32 V DC, smoothed (2200 µF/1 A)
Operating current	max. 2.5 A (ind.)
Current consumption	max. 50 mA
LED display	LED (green)

### Output

Output voltage	24 V DC (PWM)
Output current	0.02 A (+20%)...2.5 A (+10%)
Reference voltage	10 V ±5%, max. 5 mA (24 V DC)
Ramp time	0.2...10 s +20%
Clock frequency	40 Hz -5%...400 Hz +10%
Unit protection	Short circuit, temperature

### Description

#### Functional description

The amplifier regulates the current supply to a proportional valve. This current is proportional to the set-point on the amplifier's input. A voltage output of 10 V is available for set-point adjustment. Zero point, current, and ramp time can be set with

### Commercial data

country of origin	CZ
-------------------	----

---

customs tariff number	85437090
minimum order quantity	1

---