

M12 male receptacle A-cod. front mount F<(>&<)>B

PP-wires 8x0,25 0.5m

F&B

Flange M12 male

8-pole

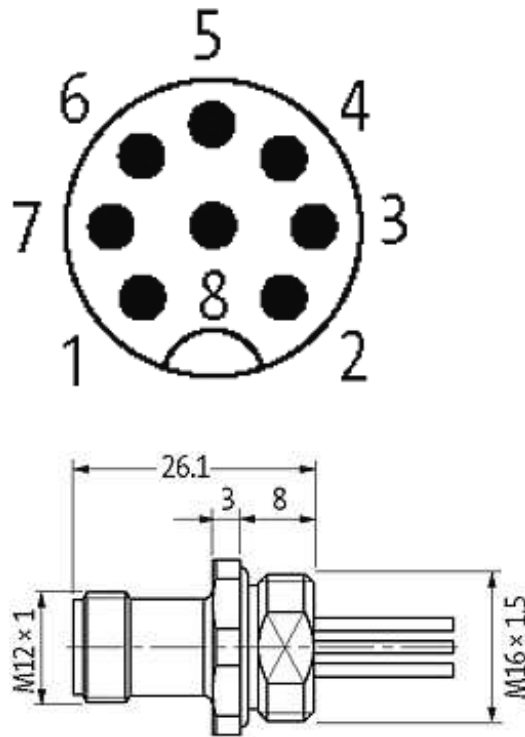
Front mounting

with multi-strand wire

[Link to Product](#)**Illustration**

| | |
|---|--------|
| 1 | white |
| 2 | brown |
| 3 | green |
| 4 | yellow |
| 5 | gray |
| 6 | pink |
| 7 | blue |
| 8 | red |

Male



Product may differ from Image

Form

Form 17161

Cables

| | |
|-----------------------------|-------------------------------------|
| Cable number | 973 |
| No./diameter of wires | 8 × 0.25 mm ² |
| Wire isolation | PP (wh, br, gn, ye, gr, pk, bl, rd) |
| C-track properties | 2 Mio. |
| Shore hardness outer jacket | 75 ± 5A |
| Outer Ø | approx. 1.25 mm |
| Bend radius (fixed) | 10 × outer Ø |
| Bend radius (moving) | 15 × outer Ø |
| Temperature range (fixed) | -40...+80 °C |
| Temperature range (mobile) | -20...+80 °C |

General data

Temperature range -25...+85 °C

Technical Data

| | |
|-------------------------------|---|
| Operating voltage | max. 30 V AC/DC |
| Operating current per contact | max. 2 A |
| Locking of ports | Screw thread M12 × 1 mm (recommended torque 0.6 Nm) self-securing |

| | |
|------------------|---|
| Locking material | Stainless Steel 1.4404 (V4A) |
| Protection | IP66K, IP67 inserted and tightened (EN 60529) |

Commercial data

| | |
|------------------------|----------|
| country of origin | DE |
| customs tariff number | 85444290 |
| minimum order quantity | 1 |