

**M12 FEMALE FLANGE PLUG A CODED FRONT MOUNT F&B**

PP-wires 8x0,25 0.2m

F&amp;B

Flange M12 female

8-pole

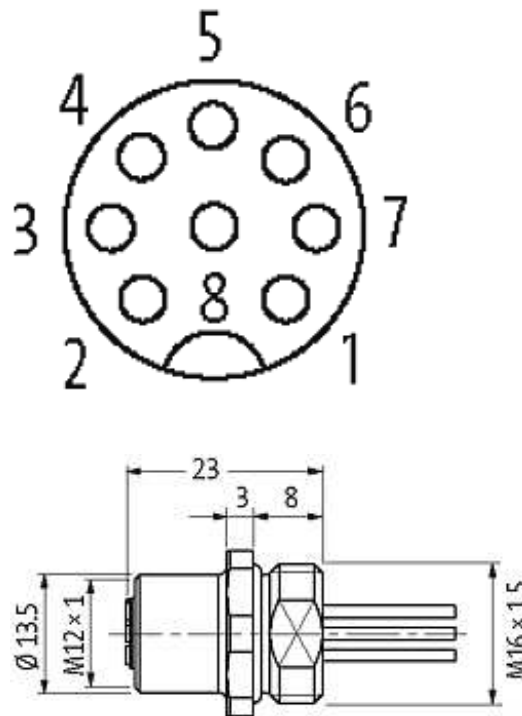
Front mounting

with multi-strand wire

**[Link to Product](#)****Illustration**

1	⤵	white
2	⤵	brown
3	⤵	green
4	⤵	yellow
5	⤵	gray
6	⤵	pink
7	⤵	blue
8	⤵	red

# Female



Product may differ from Image

## Form

Form 17181

## Cables

Cable number	973
No./diameter of wires	8 × 0.25 mm <sup>2</sup>
Wire isolation	PP (wh, br, gn, ye, gr, pk, bl, rd)
C-track properties	2 Mio.
Shore hardness outer jacket	75 ± 5A
Outer Ø	approx. 1.25 mm
Bend radius (fixed)	10 × outer Ø
Bend radius (moving)	15 × outer Ø
Temperature range (fixed)	-40...+80 °C
Temperature range (mobile)	-20...+80 °C

## General data

Temperature range -25...+85 °C

## Technical Data

Operating voltage	max. 30 V AC/DC
Operating current per contact	max. 2 A
Locking of ports	Screw thread M12 × 1 mm (recommended torque 0.6 Nm) self-securing

Locking material	Stainless Steel 1.4404 (V4A)
Protection	IP66K, IP67 inserted and tightened (EN 60529)

**Commercial data**

country of origin	DE
customs tariff number	85444290
minimum order quantity	10