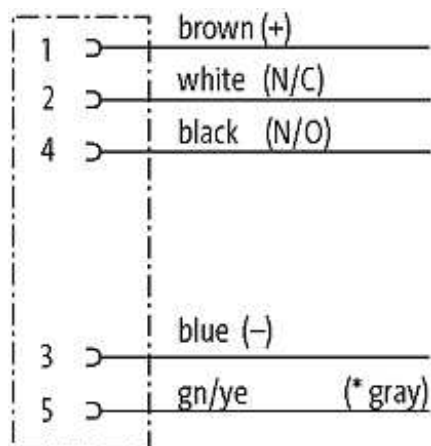


**M12 FEMALE 0°**

PUR 5x0,5 GRAY, drag ch 3m

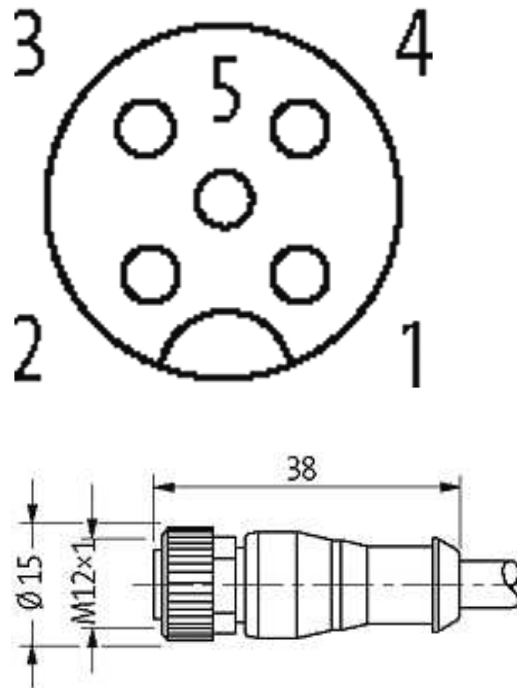
M12  
Female straight  
5-pole

Plastic housings with good resistance against chemicals and oils. The resistance to aggressive media should be individually tested for your application. Further details on request. Further cable lengths on request.

[Link to Product](#)**Illustration**

(\* for cable type 126, 732, 219, 619)

# Female



Product may differ from Image

## Approvals



## Form

Form 12241

## Cables

Cable number	437
No./diameter of wires	5 × 0.5 mm <sup>2</sup>
Wire isolation	PP (bk num, gnye)
C-track properties	2 Mio.
Jacket Color	gray
Shore hardness outer jacket	85 ± 5A
Material (jacket)	PUR
Outer Ø	approx. 6.2 mm
Bend radius (fixed)	10 × outer Ø
Bend radius (moving)	15 × outer Ø
Temperature range (fixed)	-40...+90 °C
Temperature range (mobile)	-5...+90 °C

The information in this brochure has been compiled with the utmost care.

Liability for the correctness completeness and topicality of the information is restricted to gross negligence. Version: 05/16

**General data**

Temperature range	-25...+85 °C, depending on cable quality
-------------------	------------------------------------------

**Technical Data**

Operating voltage	max. 125 V AC/DC
-------------------	------------------

Operating current per contact	max. 4 A
-------------------------------	----------

Locking of ports	Screw thread M12 × 1 mm (recommended torque 0.6 Nm) self-securing
------------------	-------------------------------------------------------------------

Protection	IP66K, IP67 inserted and tightened (EN 60529)
------------	-----------------------------------------------

**Commercial data**

country of origin	DE
-------------------	----

customs tariff number	85444290
-----------------------	----------

minimum order quantity	100
------------------------	-----