

EMPARRO67 POWER SUPPLY 1-PHASE

IN: 100-240VAC OUT: 24VDC/8A

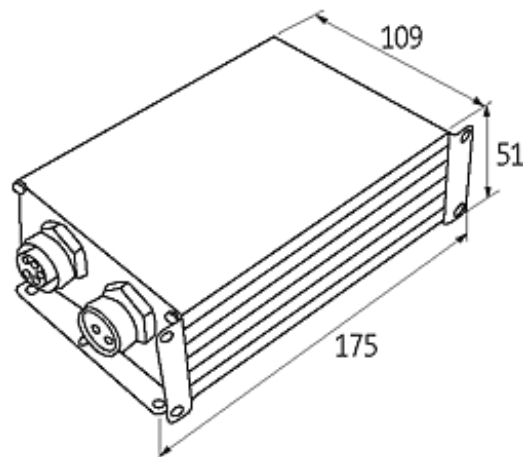
INPUT: 90...265 V AC/90...265 V DC

OUTPUT: 24 V DC (SELV), $\pm 2\%$

Current: 8 A

[Link to Product](#)

Illustration



Product may differ from Image

Input

Input voltage	90...265 V AC/90...265 V DC
Input current	2.1 A (100 V AC); 0.9 A (240 V AC)
Inrush current after 1 ms	max. 7 A (230 V AC)
Power factor	0.95 (230 V AC)

Primary fusing external	max. 10 A (T)
Frequency	50...60 Hz

General data

Standards	EN 60950-1, EN 61204-3, EN 55011 A, EN 61000-3-2
Relative humidity	4...100 %
Efficiency	94.2 % (230 V AC)
Mounting method	screw fixing
Temperature range	-25...+60 °C, ...+70 °C derating (storage temperature -40...+80 °C)

Output

Output voltage	24 V DC (SELV), ±2 %
Power Boost	I _{out} N × 150 % (min. 4 s)
Output current	9 A
Mains failure bridging time	min. 35 ms (230 V AC); 8 A (24 V DC)
Ripple	max. 30 mV _{rms}
Spikes	max. 300 mV p-p
Unit protection	short-circuit and overload protected
LED display	LED (green): OK; LED (red): overload, overheating or short-circuit

Commercial data

country of origin	CH
customs tariff number	85044090
minimum order quantity	1