

## MICO BASIC 8.6 ELEC AUX CIRCUIT, 8 CHANNELS

IN: 24VDC OUT: 24V/6ADC

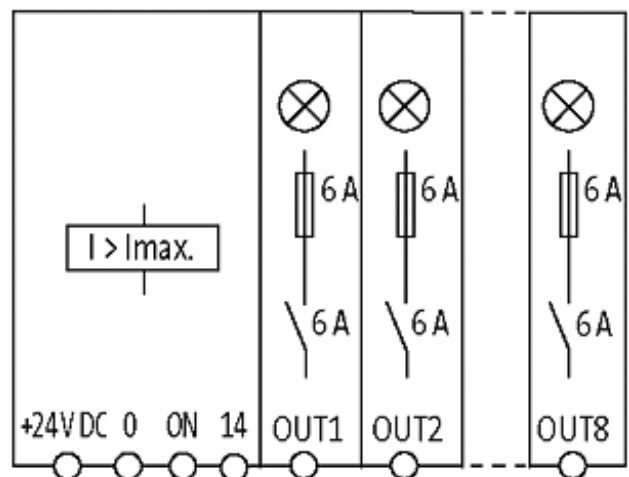
MICO BASIC 8.6

8 channels

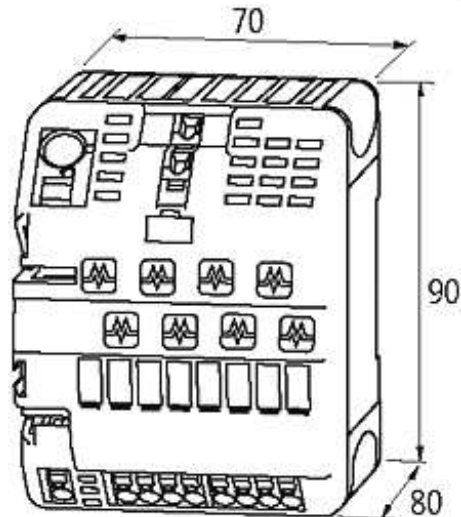
Current adjustment 6 A

### [Link to Product](#)

#### Illustration



stay connected



Product may differ from Image

### Approvals



### General data

Input terminals	1 × 16 mm <sup>2</sup>
Output terminals	per output 1 × 4 mm <sup>2</sup>
Alarm terminals	2.5 mm <sup>2</sup>
Bridging concept	one side, with spring clamp terminals or bridge set (max. 40 A)
Connection	Spring clamp terminals
Mounting method	DIN-rail mountable TH35 (EN 60715)
Temperature range	0...+55 °C (storage temperature -40...+80 °C)

### Technical Data

Operating voltage	24 V DC (18...30 V DC)
Current adjustment	6 A
Group alarm output	max. 20 mA; high: all channels ON; low: not all channels ON
Inrush capacity	max. 20 mF (per channel)
Remote start (ON)	10...30 V DC
Impulse length	min. 20 ms

### Commercial data

country of origin	CZ
customs tariff number	85363010
minimum order quantity	1