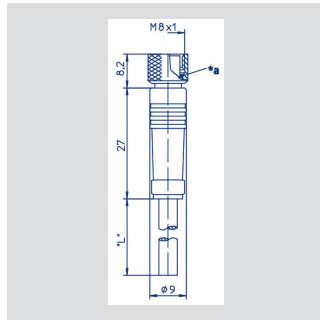


Accessories  
Connector System M8

Novotechnik U.S., Inc.  
155 Northboro Road  
Southborough, MA 01772

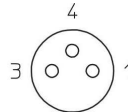
Phone 508 485 2244  
Fax 508 485 2430  
info@novotechnik.com  
www.novotechnik.com

© 09/2014  
Subject to change.



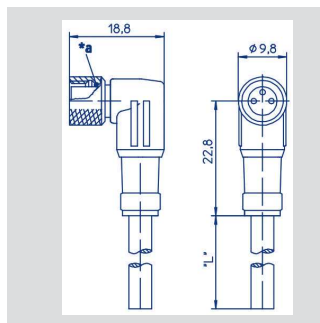
Pin assignment

- 1 = brown
- 3 = blue
- 4 = black



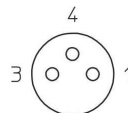
M8x1 Mating female connector, 3-pin, straight, with molded cable, not shielded, IP67, open ended

Connector housing	Plastic PA	
Cable sheath	PUR; Ø = max. 6 mm, -40 °C ... +90 °C	
Wires	PP, 3x0.34 mm <sup>2</sup>	
Length	Type	P/N
2 m	EEM 33-64	005617
5 m	EEM 33-66	005619
10 m	EEM 33-68	005643



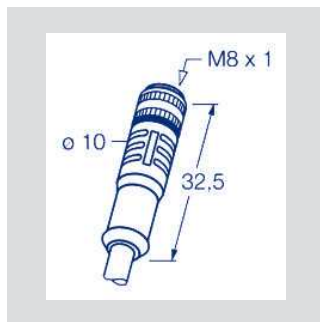
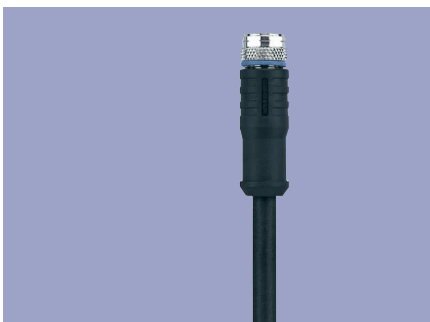
Pin assignment

- 1 = brown
- 3 = blue
- 4 = black



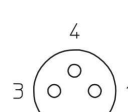
M8x1 Mating female connector, 3-pin, angled, with molded cable, not shielded, IP67, open ended

Connector housing	Plastic PA	
Cable sheath	PUR; Ø = max. 6 mm, -40 °C ... +90 °C	
Wires	PP, 3x0.34 mm <sup>2</sup>	
Length	Type	P/N
2 m	EEM 33-65	005618
5 m	EEM 33-67	005620
10 m	EEM 33-69	005644



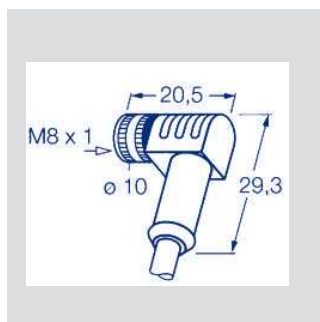
Pin assignment

- 1 = brown
- 3 = blue
- 4 = black



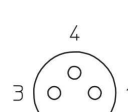
M8x1 Mating female connector, 3-pin, straight, with molded cable, shielded, IP67, open ended

Connector housing	Plastic PA	
Cable sheath	PUR; Ø = max. 6 mm, -40 °C ... +90 °C	
Wires	PP, 3x0.25 mm <sup>2</sup>	
Length	Type	P/N
2 m	EEM 33-56	005602
5 m	EEM 33-58	005604
10 m	EEM 33-60	005606



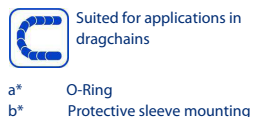
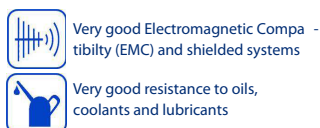
Pin assignment

- 1 = brown
- 3 = blue
- 4 = black



M8x1 Mating female connector, 3-pin, angled, with molded cable, shielded, IP67, open ended

Connector housing	Plastic PA	
Cable sheath	PUR; Ø = max. 6 mm, -40 °C ... +90 °C	
Wires	PP, 3x0.25 mm <sup>2</sup>	
Length	Type	P/N
2 m	EEM 33-57	005603
5 m	EEM 33-59	005605
10 m	EEM 33-61	005607



Note: The protection class is valid only in locked position with its plugs. The application of these products in harsh environments must be checked in particular cases.