

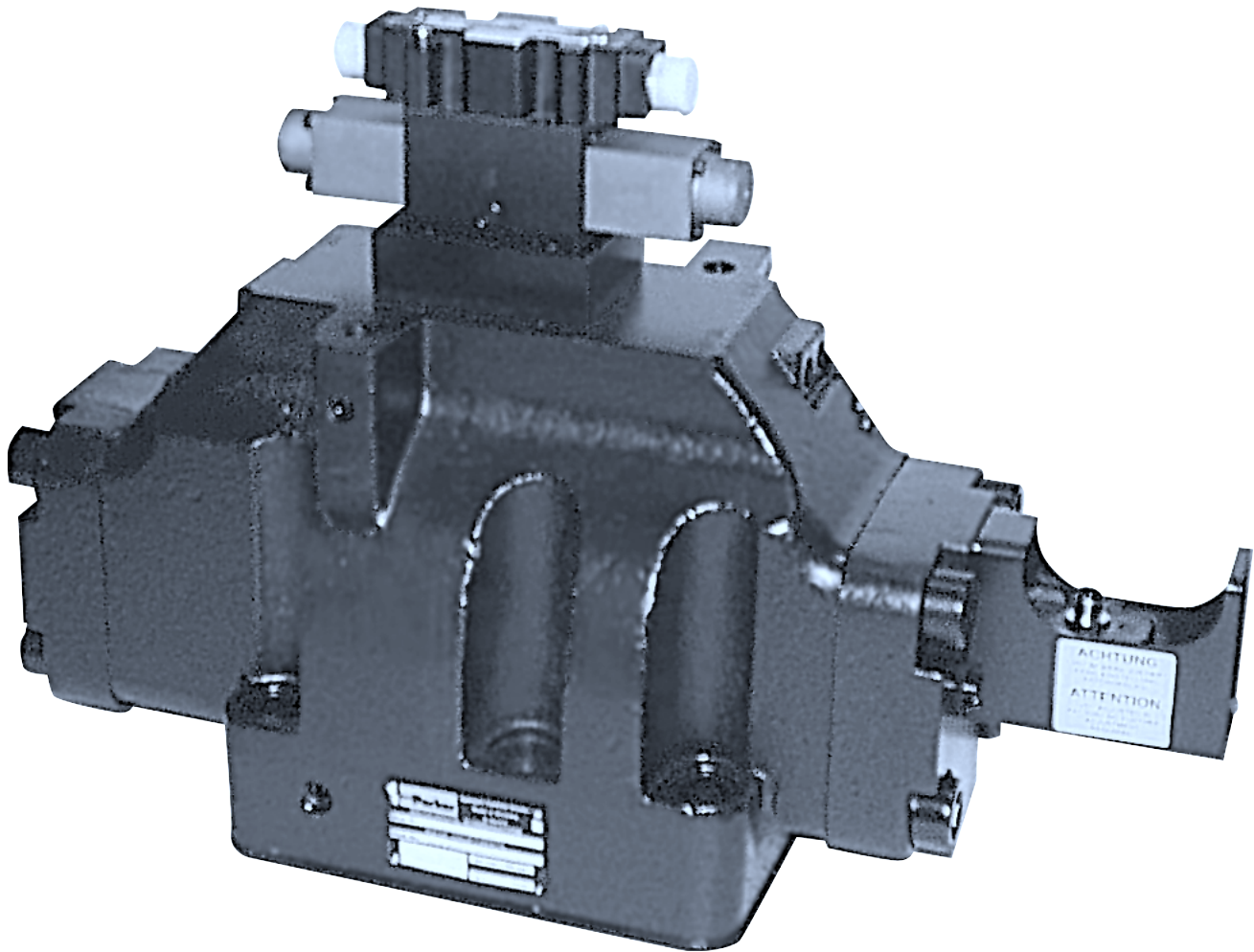


Bulletin 2562-M4/USA

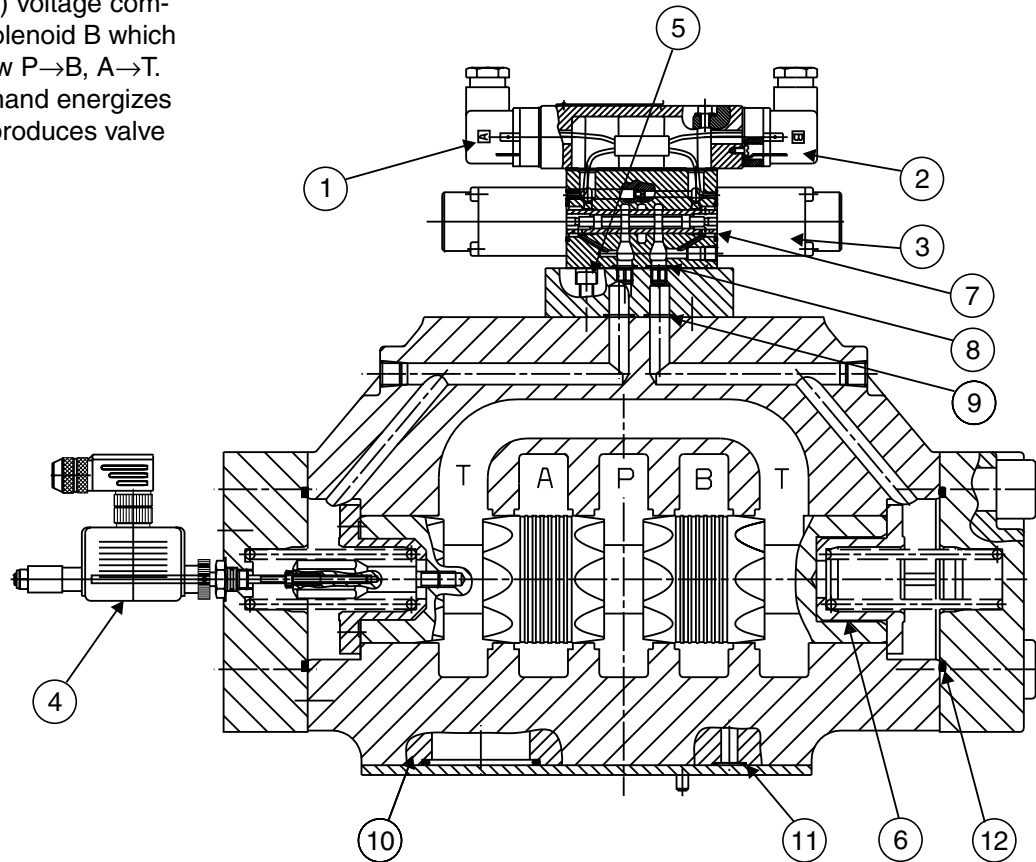
Series D111FS 30 Design Proportional Directional Control Valves

Effective: September 1, 2000

Supersedes: May 5, 1995

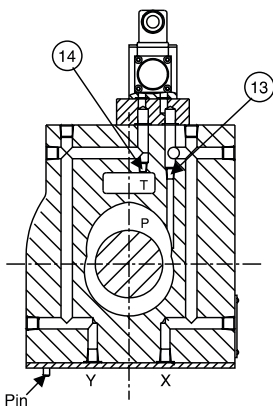


NOTE: Positive (+) voltage command energizes solenoid B which produces valve flow P→B, A→T. Negative (-) command energizes solenoid A which produces valve flow P→A, B→T.



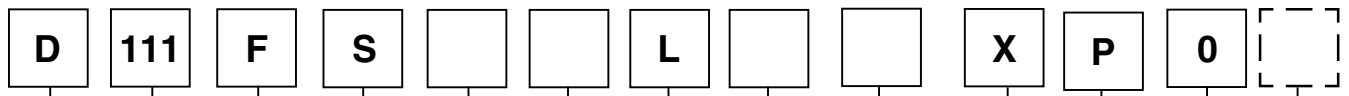
REPAIR PARTS

Item	Qty	Part Number	Description	Item	Qty	Part Number	Description
1	1	692915	Hirschmann Plug (gray)	7	2	2017*-9	O-Ring 2-017N552-90
2	1	692914	Hirschmann Plug (black)	8	4	2012*-9	O-Ring 2-012N552-90
3	1	D1FVE02BCUXP20	Pilot Valve	9	5	2114*-9	O-Ring 2-114N552-90
4	1	1210503	LVDT Assembly w/ plug	10	4	2227*-9	O-Ring 2-227N552-90
5	4	M5 x 30	Pilot Valve Mtg. Bolt	11	2	2015*-9	O-Ring 2-015N552-90
6	2	45051156	Spool Centering Spring	12	2	2238*-9	O-Ring 2-238N552-90



PILOT AND DRAIN CONFIGURATIONS

Pilot (13)				Drain (14)		
Code	Qty	Part Number	Pilot	Qty	Part Number	Drain
1		—	Internal	1	1/16 NPT	External
2	1	1/16 NPT	External	1	1/16 NPT	External
4		—	Internal	—	—	Internal
5	1	1/16 NPT	External	—	—	Internal



D Directional Control Valve **111** Size and Interface **F** Proportional Flow Regulation **S** With Position Transducer **L** Flow Code **X** Solenoid Voltage **P** Solenoid Connections **O** Valve Accessory Design Series Not required for ordering

Code	Description
111	DIN NG32 Cetop 10 NFPA D10

Code	Ratio
E	QA = QB
A	QB > QA
B	QA > QB

Code	Flow Code
L	V-Notch

Code	Description
N	Nitrile
V	Fluorocarbon

Code	Solenoid Voltage
X	16VDC proportional solenoid

Code	Description
0	Standard, no accessories
2	Pressure Reducer**

Spool with overlap Flow QA equal to flow QB Flow ratio to code E	
Code	Symbol
01	
02	

Spool with overlap Flow QA unequal to flow QB Flow ratio to code A or B		
Code	Symbol*	Ratio Q
31		2 : 1
32		2 : 1
34		2 : 1
35		2 : 1

Code	Supply	Drain
1	Internal	External
2	External	External
4	Internal	Internal
5	External	Internal

Code	Description
P	Hirschmann DIN 43650 with female plug

Use one Power Supply for each valve/driver. #PS24
Valve Weight: 62 kg (136 lbs.)

*Symbols show spools to flow ratio Code "B"
** Pressure Reducer is recommended when using internal pilot pressure and supply pressure is 3000 PSI or greater.

Flow Ratio:
E = throttling area (P→A=A→T)=(P→B=B→T)
A = throttling area (P→B/B→T) > (P→A/A→T)
B = throttling area (P→A/A→T) > (P→B/B→T)

D111FS Accessories

Valve Size	Subplate	Port Size	Location	Max. Pressure	Bolt Kit
D111	SPD1012N35	1 1/2" NPTF	Bottom	345 Bar (5,000 PSI)	BK150
D111	SPD1016N35	2" NPTF	Bottom	345 Bar (5,000 PSI)	

Accessories for Boards

Model	Description
K	Card Holder (31 Pin)
PS24	24 VDC, 4.5 amp, power supply

D111FS Amplifier Boards

EW

Driver Board used with D111FS Series 4-Way Proportional Valves

32

Size

Code	Size
32	D111

Functions

Code	Board Type
101	4 setpoints and Accel/Decel Ramps
102	± 10 VDC Input
104	± 10 VDC Input Min./Max. Adjust with Accel/Decel Ramps

-10

Current Design Series

 **WARNING**

FAILURE OR IMPROPER SELECTION OR IMPROPER USE OF THE PRODUCTS AND/OR SYSTEMS DESCRIBED HEREIN OR RELATED ITEMS CAN CAUSE DEATH, PERSONAL INJURY AND PROPERTY DAMAGE.

This document and other information from Parker Hannifin Corporation, its subsidiaries and authorized distributors provide product and/or system options for further investigation by users having technical expertise. It is important that you analyze all aspects of your application and review the information concerning the product or system in the current product catalog. Due to the variety of operating conditions and applications for these products or systems, the user, through its own analysis and testing, is solely responsible for making the final selection of the products and systems and assuring that all performance, safety and warning requirements of the application are met.

The products described herein, including without limitation, product features, specifications, designs, availability and pricing, are subject to change by Parker Hannifin Corporation and its subsidiaries at any time without notice.

Offer of Sale

The items described in this document are hereby offered for sale by Parker Hannifin Corporation, its subsidiaries or its authorized distributors. This offer and its acceptance are governed by the provisions stated in the "Offer of Sale".

© Copyright 1995, 2000, Parker Hannifin Corporation, All Rights Reserved



Parker Hannifin Corporation

Hydraulic Valve Division
520 Ternes Avenue
Elyria, Ohio 44035 USA

Tel: (440) 366-5200

Fax: (440) 366-5253

Web Site: <http://www.parker.com/hydraulicvalve>

Bulletin 2562-M4/USA,
1M, 9/00, PHD