

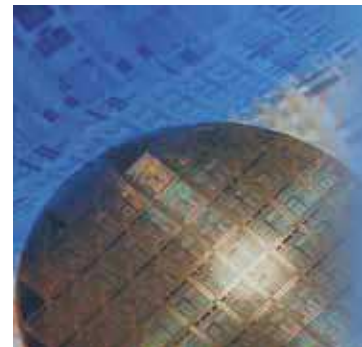


aerospace
climate control
electromechanical
filtration
fluid & gas handling
hydraulics
pneumatics
process control
sealing & shielding



IQAN-LL/LM I/O Modules

Electronic Control Systems



ENGINEERING YOUR SUCCESS.

Application

IQAN-LM

The IQAN-LM is especially suitable for continuous duty machine operations such as in forestry and construction work. The combination of a mini lever and armrest provide substantial ergonomic benefits.

IQAN-LL

The IQAN-LL is designed for rough handling. The ergonomic design gives good support to the arms and wrists and assures a comfortable grip from several angles. The design allows operators to quickly become familiar with the lever.

Design and function

Both levers are designed for in-cab use. The wide operating voltage range allows for connection to both 12 VDC and 24 VDC systems. All inputs and outputs are protected against short circuit to ground and to main power supply.

The IQAN levers are connected to other modules through a CAN bus which makes data exchange more efficient, simplifies installation and increases noise immunity.

A number of different handle types are available. LED indicators show supply voltage and internal operation.

The lever units are lightweight with small installation dimensions and have low, well-adapted actuating forces.

All proportional inputs are of contactless inductive type with neutral position sensors to provide high safety and reliability.

General

Weight	LM 0,4 Kg LL 0,9 Kg
Rated power supply	12 – 24 VDC
Min/max power	9 / 32 VDC
Operating temperature	-30 to +70°C
Protection	in-cab use IP65 (type LM-2A) IP44 (all others)
Current consumption (idle)	57 mA (28 VDC), 46 mA (14 VDC)
Data interface	Parker ICP (IQAN CAN Protocol)

Axis sensors

Number	max 3 pcs, inductive
Resolution	9 bit

Neutral position detection

Signal	IR-sensor, on/off
--------	-------------------

Digital inputs

Number	10 pcs, 4 internal, 6 external (may differ according to application/handle)
Signal range	0 – 5 VDC
Active range	0 – V_{BAT} "0" = 0,0 – 1,0 VDC, "1" = 2,0 – V_{BAT}

Analog inputs

Number	2 pcs
Signal range	0 – 5 VDC
Active range	0 – V_{BAT}
Resolution	0,5 – 4,5 VDC 5 mV

Digital outputs¹

Number	1 pc
Signal	200 mA

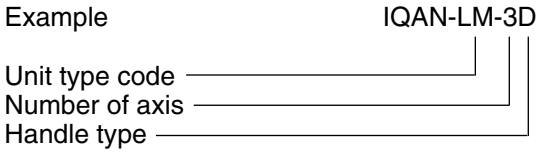
1) One digital input and the digital output share the same physical pin. By configuring the channels with IQAN software, the user defines the pin as input or output.

Ordering part number

IQAN-LL-2E2	20005956
IQAN-LL-2N0	20005957
IQAN-LL-2N2	20005958
IQAN-LL-2N2T	20005959
IQAN-LL-2N4	20005960
IQAN-LL-2U	20005961
IQAN-LL-3G	20005962
IQAN-LM-2A	20005963
IQAN-LM-3D	20005964

Order code

IQAN-LM

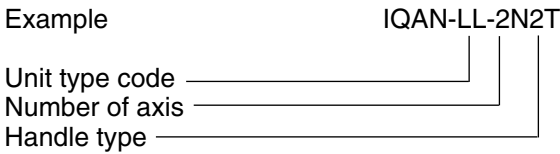


Unit type code: product description
 LM - lever mini

Number of axis: 2 - X, Y
 3 - X, Y, Z

Handle type: diameter 15 mm
 A straight stick prop. rocker for Z axis
 D ergonomic shape handle

IQAN-LL



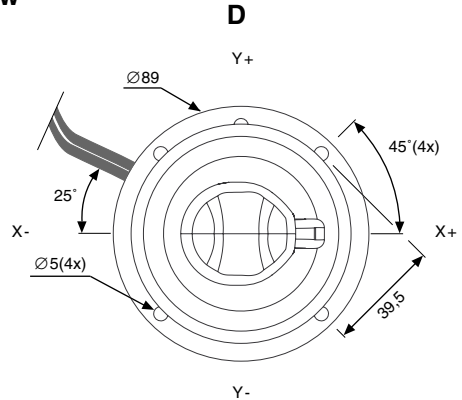
Unit type code: product description
 LL - lever large

Number of axis: 2 - X, Y
 3 - X, Y, Z

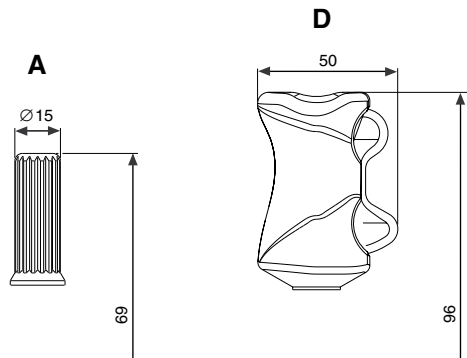
Handle type: (on)-off-(on) rocker
 E2 straight handle prop. rocker for Z axis
 G mushroom shape handle without handle
 U stem no buttons
 N0 banana-shape handle 2 buttons
 N2 banana-shape handle 2 buttons + trigger
 N2T banana-shape handle 4 buttons
 N4 banana-shape handle

IQAN-LM

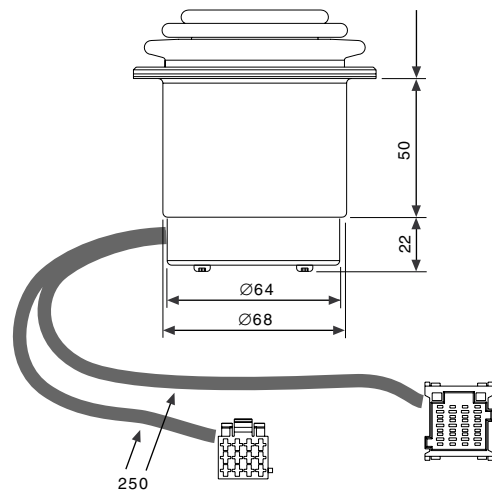
Top view



Handle types

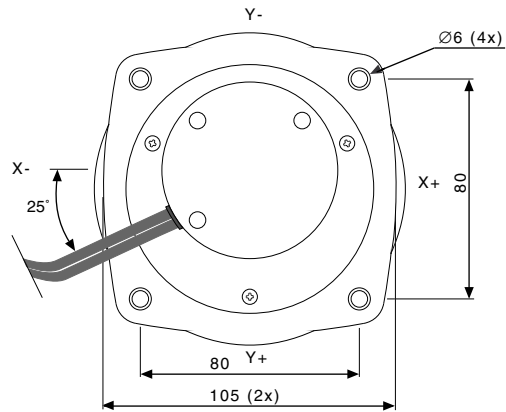


Base unit

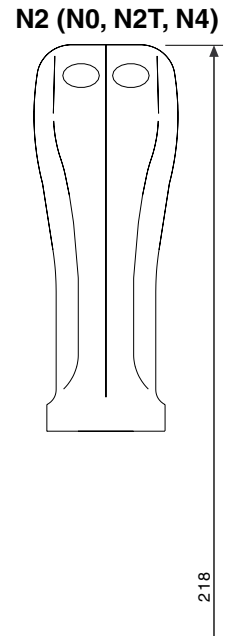
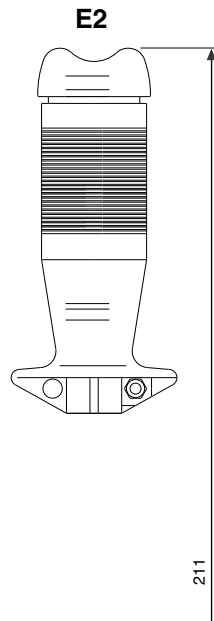
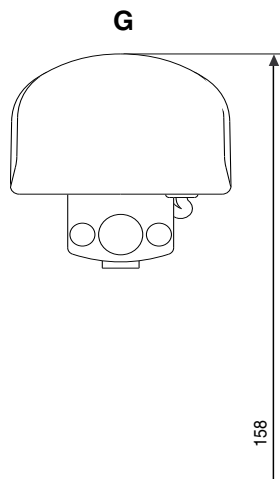
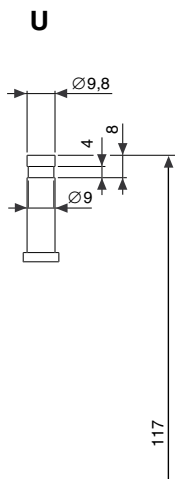


IQAN-LL

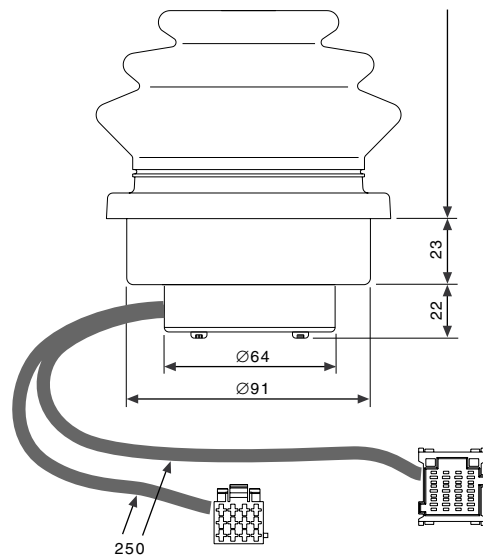
Bottom view



Handle types



Base unit



Environmental Protection

EMI

- EN 55022:1994 (conducted emission)
- EN 55022:1994 (radiated emission)
- ISO 11452-2:1995 (immunity vs EM field)
- ISO 11452-4:1995 (immunity vs injected RF)
- ISO 7637-2:1990 (immunity vs supply transients)
- ISO 7637-3:1995 (immunity vs supply transients)
- EN 61000-4-8:1993 (immunity vs magnetic field)

ESD

- ISO 10605:2001 (ESD)

Mechanical environment

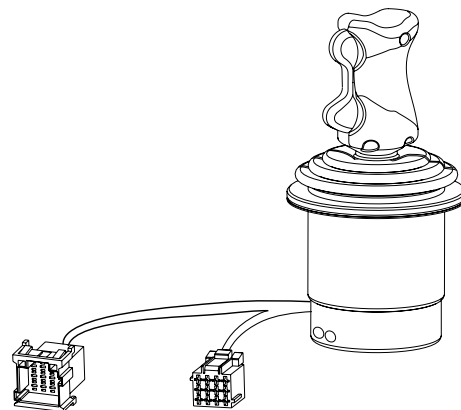
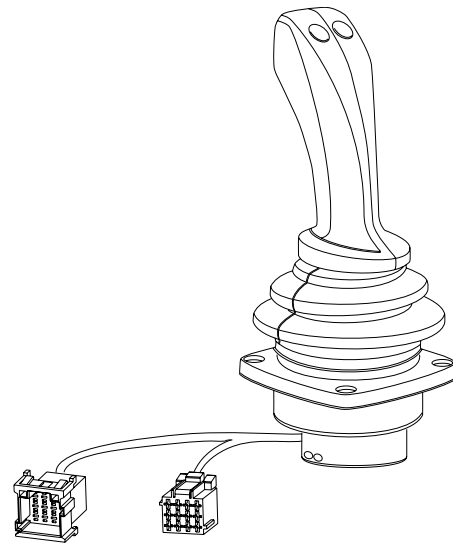
- IEC 68-2-64:1993 Fh (random)
- IEC 68-2-29:1987 Eb (bump)

Climate environment

- IEC 68-2-18:2000 Rb3 (water)
- IEC 68-2-30:1985 Db (var1, damp, cyclic)
- IEC 68-2-3:1969 Ca (damp, heat steady state)
- IEC 68-2-2:1993-01 Bb (heat)
- IEC 68-2-1:1993-02 Ab (cold)
- IEC 68-2-14:1984 Nb (change of temperature)

Chemical environment

- IEC 68-2-52:1996 Kb (salt mist)



! WARNING

FAILURE OR IMPROPER SELECTION OR IMPROPER USE OF THE PRODUCTS AND/OR SYSTEMS DESCRIBED HEREIN OR RELATED ITEMS CAN CAUSE DEATH, PERSONAL INJURY AND PROPERTY DAMAGE.

This document and other information from Parker Hannifin Corporation, its subsidiaries and authorized distributors provide product and/or system options for further investigation by users having technical expertise. It is important that you analyze all aspects of your application, including consequences of any failure, and review the information concerning the product or system in the current product catalogue. Due to the variety of operating conditions and applications for these products or systems, the user, through its own analysis and testing, is solely responsible for making the final selection of the products and systems and assuring that all performance, safety and warning requirements of the application are met.

The products described herein, including without limitation, product features, specifications, designs, availability and pricing, are subject to change by Parker Hannifin Corporation and its subsidiaries at any time without notice.

Offer of Sale

Please contact your Parker representation for a detailed "Offer of Sale".

Parker Worldwide

Europe, Middle East, Africa

AE – United Arab Emirates,
Dubai

Tel: +971 4 8127100
parker.me@parker.com

AT – Austria, Wiener Neustadt
Tel: +43 (0)2622 23501-0
parker.austria@parker.com

AT – Eastern Europe, Wiener
Neustadt
Tel: +43 (0)2622 23501 900
parker.easteurope@parker.com

AZ – Azerbaijan, Baku
Tel: +994 50 2233 458
parker.azerbaijan@parker.com

BE/LU – Belgium, Nivelles
Tel: +32 (0)67 280 900
parker.belgium@parker.com

BY – Belarus, Minsk
Tel: +375 17 209 9399
parker.belarus@parker.com

CH – Switzerland, Etoy
Tel: +41 (0)21 821 87 00
parker.switzerland@parker.com

CZ – Czech Republic, Klecany
Tel: +420 284 083 111
parker.czechrepublic@parker.com

DE – Germany, Kaarst
Tel: +49 (0)2131 4016 0
parker.germany@parker.com

DK – Denmark, Ballerup
Tel: +45 43 56 04 00
parker.denmark@parker.com

ES – Spain, Madrid
Tel: +34 902 330 001
parker.spain@parker.com

FI – Finland, Vantaa
Tel: +358 (0)20 753 2500
parker.finland@parker.com

FR – France, Contamine s/Arve
Tel: +33 (0)4 50 25 80 25
parker.france@parker.com

GR – Greece, Athens
Tel: +30 210 933 6450
parker.greece@parker.com

HU – Hungary, Budapest
Tel: +36 1 220 4155
parker.hungary@parker.com

IE – Ireland, Dublin
Tel: +353 (0)1 466 6370
parker.ireland@parker.com

IT – Italy, Corsico (MI)
Tel: +39 02 45 19 21
parker.italy@parker.com

KZ – Kazakhstan, Almaty
Tel: +7 7272 505 800
parker.easteurope@parker.com

NL – The Netherlands, Oldenzaal
Tel: +31 (0)541 585 000
parker.nl@parker.com

NO – Norway, Asker
Tel: +47 66 75 34 00
parker.norway@parker.com

PL – Poland, Warsaw
Tel: +48 (0)22 573 24 00
parker.poland@parker.com

PT – Portugal, Leca da Palmeira
Tel: +351 22 999 7360
parker.portugal@parker.com

RO – Romania, Bucharest
Tel: +40 21 252 1382
parker.romania@parker.com

RU – Russia, Moscow
Tel: +7 495 645-2156
parker.russia@parker.com

SE – Sweden, Spånga
Tel: +46 (0)8 59 79 50 00
parker.sweden@parker.com

SK – Slovakia, Banská Bystrica
Tel: +421 484 162 252
parker.slovakia@parker.com

SL – Slovenia, Novo Mesto
Tel: +386 7 337 6650
parker.slovenia@parker.com

TR – Turkey, Istanbul
Tel: +90 216 4997081
parker.turkey@parker.com

UA – Ukraine, Kiev
Tel: +380 44 494 2731
parker.ukraine@parker.com

UK – United Kingdom, Warwick
Tel: +44 (0)1926 317 878
parker.uk@parker.com

ZA – South Africa, Kempton Park
Tel: +27 (0)11 961 0700
parker.southafrica@parker.com

North America

CA – Canada, Milton, Ontario
Tel: +1 905 693 3000

US – USA, Cleveland
(industrial)
Tel: +1 216 896 3000

US – USA, Elk Grove Village
(mobile)
Tel: +1 847 258 6200

Asia Pacific

AU – Australia, Castle Hill
Tel: +61 (0)2-9634 7777

CN – China, Shanghai
Tel: +86 21 2899 5000

HK – Hong Kong
Tel: +852 2428 8008

IN – India, Mumbai
Tel: +91 22 6513 7081-85

JP – Japan, Fujisawa
Tel: +81 (0)4 6635 3050

KR – South Korea, Seoul
Tel: +82 2 559 0400

MY – Malaysia, Shah Alam
Tel: +60 3 7849 0800

NZ – New Zealand, Mt Wellington
Tel: +64 9 574 1744

SG – Singapore
Tel: +65 6887 6300

TH – Thailand, Bangkok
Tel: +662 717 8140

TW – Taiwan, Taipei
Tel: +886 2 2298 8987

South America

AR – Argentina, Buenos Aires
Tel: +54 3327 44 4129

BR – Brazil, Sao Jose dos
Campos
Tel: +55 12 4009 3500

CL – Chile, Santiago
Tel: +56 2 623 1216

MX – Mexico, Apodaca
Tel: +52 81 8156 6000

VE – Venezuela, Caracas
Tel: +58 212 238 5422

EMEA Product Information Centre

Free phone: 00 800 27 27 5374

(from AT, BE, CH, CZ, DE, DK, EE, ES, FI, FR, IE, IL,
IS, IT, LU, MT, NL, NO, PL, PT, RU, SE, SK, UK, ZA)

US Product Information Centre

Toll-free number: 1-800-27 27 537

www.parker.com

