

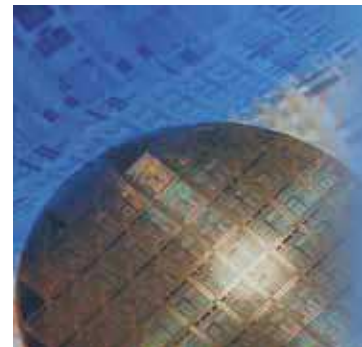


aerospace
climate control
electromechanical
filtration
fluid & gas handling
hydraulics
pneumatics
process control
sealing & shielding



IQAN-MDM Display Modules

Electronic Control Systems



ENGINEERING YOUR SUCCESS.

Application

The IQAN-MDM is a master unit that works with the expansion modules in the IQANdevelop platform control system. The IQAN-MDM is fully programmable for use in any machine application. The unit works as a master for controlling applications, as a graphical user interface and as a CAN interface.

Design and function

IQAN-MDM uses an improved 2.8" FSTN, black & white LCD for the best readability in all lighting conditions. The improved display uses Chip-On-Glass technology for higher reliability.

Function buttons and control buttons in combination with a graphical display makes system feedback with user interaction possible. With the three function buttons, a decrease/increase value-button and an escape-button, it is easy to adjust, calibrate and measure the IQAN system. In case of an error the display will alert the operator with a signal and a message on the display.

IQAN-MDM is designed for in-cab as well as outdoor use. It can be used in both 12 and 24 Vdc systems. All inputs and outputs are protected against short circuit to ground, to main power supply and reversed polarity.

The IQAN-MDM is connected to other units by a CAN bus. The CAN bus is configured as ICP (IQAN CAN Protocol) and communicates with IQANdevelop platform expansion modules. The RS232 interface is used for connection with PC and for land line or wireless modem (remote diagnostic) connection.

Up to 4 different individual driver modes can be stored in the unit, which are easily selectable. The display also contains a real time clock, an alarm output and can present text in 10 different languages.

A green LED indicator on the back of the module indicates supply voltage and status "heartbeat".

General

Weight	0,2 kg
Rated power supply	12-24 Vdc
Min/max power	9/32 Vdc
Operating temperature	-30°C to +70°C (-30°C to -10°C reduced display update)
Protection	outdoor use
Current consumption	max 100 mA (28 Vdc), max 180 mA (14 Vdc)
Data interface	Parker ICP (IQAN CAN Protocol)

Display

Type	2.8" B/W LCD
Resolution	202x32 pixels

Performance

Processor	16-bit (16 MHz)
Sample time	20-100 ms
Software tools	IQANdevelop family

Communication interfaces

CAN (ISO 11898)	1
Protocols	Parker ICP
RS-232	1
Protocols	AT-Hayes,GSM07.07, GSM07.05, IDP

Outputs

Digital output	1
Type	high side switch
Max load	1,2 A
Buzzer	Sound alarm output

Ordering part no.

IQAN-MDM	5010010
----------	---------

Environmental Protection

EMI

ISO 14982:1998, Radiated emission
EN 55025:2003, Conducted emission
ISO 11452-2:1995, Radiated susceptibility
ISO 11452-4:2001, Conducted susceptibility
ISO 7637-2:2004, Conducted transient
ISO 7637-3:1995, Conducted susceptibility on signal

ESD

ISO 10605:2001, ESD

Mechanical environment

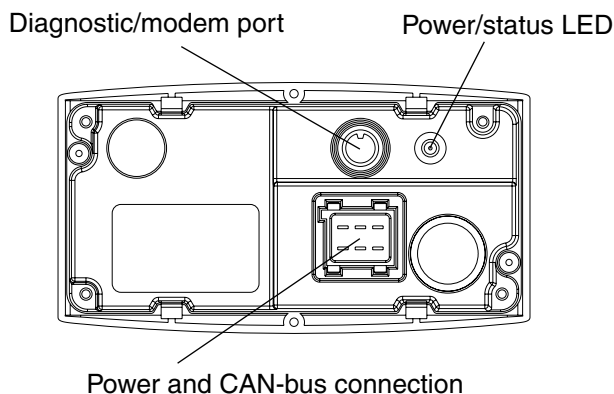
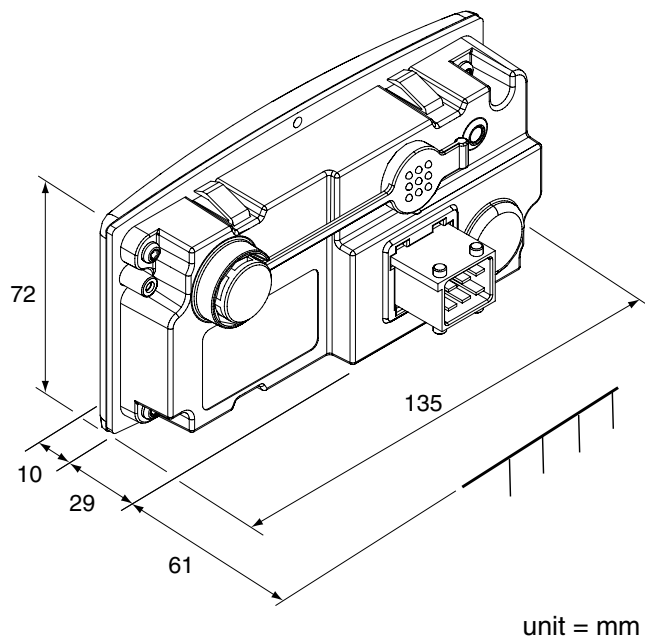
IEC 60068-2-64:1993 Fh, Random vibration
IEC 60068-2-29:1987 Eb, Bump

Climate environment

IEC 60529:2001, Water
IEC 60068-2-30:1985 Db, Damp heat cyclic
IEC 60068-2-78:2001, Damp heat, steady state
IEC 60068-2-14:1984 Nb, Change of temperature

Chemical environment

IEC 60068-2-52:1996 Kb, Salt mist



! WARNING

FAILURE OR IMPROPER SELECTION OR IMPROPER USE OF THE PRODUCTS AND/OR SYSTEMS DESCRIBED HEREIN OR RELATED ITEMS CAN CAUSE DEATH, PERSONAL INJURY AND PROPERTY DAMAGE.

This document and other information from Parker Hannifin Corporation, its subsidiaries and authorized distributors provide product and/or system options for further investigation by users having technical expertise. It is important that you analyze all aspects of your application, including consequences of any failure, and review the information concerning the product or system in the current product catalogue. Due to the variety of operating conditions and applications for these products or systems, the user, through its own analysis and testing, is solely responsible for making the final selection of the products and systems and assuring that all performance, safety and warning requirements of the application are met.

The products described herein, including without limitation, product features, specifications, designs, availability and pricing, are subject to change by Parker Hannifin Corporation and its subsidiaries at any time without notice.

Offer of Sale

Please contact your Parker representation for a detailed "Offer of Sale".

Parker Worldwide

AE – UAE, Dubai
Tel: +971 4 8127100
parker.me@parker.com

AR – Argentina, Buenos Aires
Tel: +54 3327 44 4129

AT – Austria, Wiener Neustadt
Tel: +43 (0)2622 23501-0
parker.austria@parker.com

AT – Eastern Europe, Wiener Neustadt
Tel: +43 (0)2622 23501 900
parker.easteurope@parker.com

AU – Australia, Castle Hill
Tel: +61 (0)2-9634 7777

AZ – Azerbaijan, Baku
Tel: +994 50 2233 458
parker.azerbaijan@parker.com

BE/LU – Belgium, Nivelles
Tel: +32 (0)67 280 900
parker.belgium@parker.com

BR – Brazil, Cachoeirinha RS
Tel: +55 51 3470 9144

BY – Belarus, Minsk
Tel: +375 17 209 9399
parker.belarus@parker.com

CA – Canada, Milton, Ontario
Tel: +1 905 693 3000

CH – Switzerland, Etoy
Tel: +41 (0) 21 821 87 00
parker.switzerland@parker.com

CL – Chile, Santiago
Tel: +56 2 623 1216

CN – China, Shanghai
Tel: +86 21 2899 5000

CZ – Czech Republic, Klecany
Tel: +420 284 083 111
parker.czechrepublic@parker.com

DE – Germany, Kaarst
Tel: +49 (0)2131 4016 0
parker.germany@parker.com

DK – Denmark, Ballerup
Tel: +45 43 56 04 00
parker.denmark@parker.com

ES – Spain, Madrid
Tel: +34 902 330 001
parker.spain@parker.com

FI – Finland, Vantaa
Tel: +358 (0)20 753 2500
parker.finland@parker.com

FR – France, Contamine s/Arve
Tel: +33 (0)4 50 25 80 25
parker.france@parker.com

GR – Greece, Athens
Tel: +30 210 933 6450
parker.greece@parker.com

HK – Hong Kong
Tel: +852 2428 8008

HU – Hungary, Budapest
Tel: +36 1 220 4155
parker.hungary@parker.com

IE – Ireland, Dublin
Tel: +353 (0)1 466 6370
parker.ireland@parker.com

IN – India, Mumbai
Tel: +91 22 6513 7081-85

IT – Italy, Corsico (MI)
Tel: +39 02 45 19 21
parker.italy@parker.com

JP – Japan, Fujisawa
Tel: +81 (0)4 6635 3050

KR – South Korea, Seoul
Tel: +82 2 559 0400

KZ – Kazakhstan, Almaty
Tel: +7 7272 505 800
parker.easteurope@parker.com

LV – Latvia, Riga
Tel: +371 6 745 2601
parker.latvia@parker.com

MX – Mexico, Apodaca
Tel: +52 81 8156 6000

MY – Malaysia, Shah Alam
Tel: +60 3 7849 0800

NL – The Netherlands, Oldenzaal
Tel: +31 (0)541 585 000
parker.nl@parker.com

NO – Norway, Ski
Tel: +47 64 91 10 00
parker.norway@parker.com

NZ – New Zealand, Mt Wellington
Tel: +64 9 574 1744

PL – Poland, Warsaw
Tel: +48 (0)22 573 24 00
parker.poland@parker.com

PT – Portugal, Leca da Palmeira
Tel: +351 22 999 7360
parker.portugal@parker.com

RO – Romania, Bucharest
Tel: +40 21 252 1382
parker.romania@parker.com

RU – Russia, Moscow
Tel: +7 495 645-2156
parker.russia@parker.com

SE – Sweden, Spånga
Tel: +46 (0)8 59 79 50 00
parker.sweden@parker.com

SG – Singapore
Tel: +65 6887 6300

SK – Slovakia, Banská Bystrica
Tel: +421 484 162 252
parker.slovakia@parker.com

SL – Slovenia, Novo Mesto
Tel: +386 7 337 6650
parker.slovenia@parker.com

TH – Thailand, Bangkok
Tel: +662 717 8140

TR – Turkey, Istanbul
Tel: +90 216 4997081
parker.turkey@parker.com

TW – Taiwan, Taipei
Tel: +886 2 2298 8987

UA – Ukraine, Kiev
Tel: +380 44 494 2731
parker.ukraine@parker.com

UK – United Kingdom, Warwick
Tel: +44 (0)1926 317 878
parker.uk@parker.com

US – USA, Cleveland (industrial)
Tel: +1 216 896 3000

US – USA, Lincolnshire (mobile)
Tel: +1 847 821 1500

VE – Venezuela, Caracas
Tel: +58 212 238 5422

ZA – South Africa, Kempton Park
Tel: +27 (0)11 961 0700
parker.southafrica@parker.com



European Product Information Centre

Free phone: 00 800 27 27 5374
(from AT, BE, CH, CZ, DE, EE, ES, FI, FR, IE, IL, IS, IT, LU, MT, NL, NO, PT, SE, SK, UK)

US Product Information Centre

Free phone: 1-800-27 27 537
www.parker.com