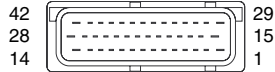
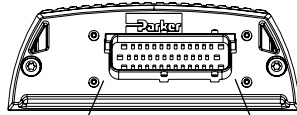
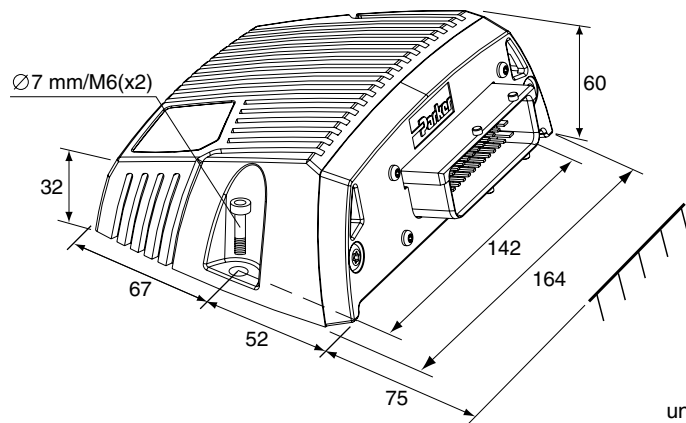


Wiring diagram



1	ADDR-H	15	-BAT	29	-VREF
2	COU-T-A/DOUT-A	16	CRET-A+/DOUT(LS)-I	30	CRET-A-/DOUT(LS)-J
3	COU-T-B/DOUT-B	17	CRET-B+/DOUT(LS)-K	31	CRET-B-/DOUT(LS)-L
4	COU-T-C/DOUT-C	18	CRET-C+/DOUT(LS)-M	32	CRET-C-/DOUT(LS)-N
5	COU-T-D/DOUT-D	19	CRET-D+/DOUT(LS)-O	33	CRET-D-/DOUT(LS)-P
6	+RTC	20	VIN-A/DIN-A/FIN-A	34	VIN-C/DIN-C/FIN-C
7	VIN-E/DIN-E/FIN-E	21	VIN-B/DIN-B/FIN-B	35	VIN-D/DIN-D/FIN-D
8	COU-T-E/DOUT-E	22	CRET-E+/VIN-F/DIN-F/ DOUT(LS)-Q	36	CRET-E-/VIN-G/DIN-G/ DOUT(LS)-R
9	COU-T-F/DOUT-F	23	CRET-F+/VIN-H/DIN-H/ DOUT(LS)-S	37	CRET-F-/VIN-I/DIN-I/ DOUT(LS)-T
10	COU-T-G/DOUT-G	24	CRET-G+/VIN-J/DIN-J/ DOUT(LS)-U	38	CRET-G-/VIN-K/DIN-K/ DOUT(LS)-V
11	COU-T-H/DOUT-H	25	CRET-H+/VIN-L/DIN-L/ DOUT(LS)-W	39	CRET-H-/VIN-M/DIN-M/ DOUT(LS)-X
12	USB-D+	26	CAN-B-H	40	CAN-B-L
13	USB-D-	27	CAN-A-H	41	CAN-A-L
14	ADDR-L	28	+BAT(+12V, +24V)	42	+VREF

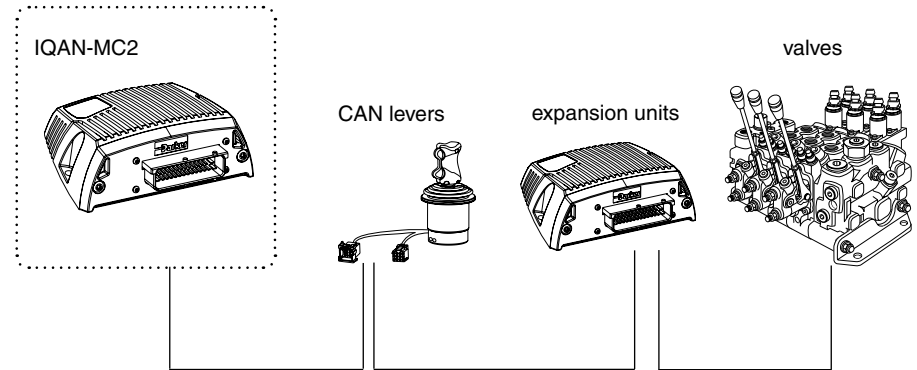
Mating connector kit: 5031 063



unit = mm

Installation IQAN-MC2

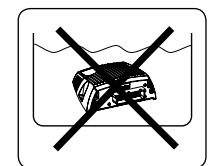
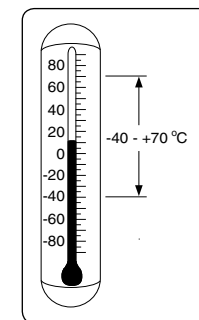
Publ.no: M5010042A
Ed. C



CAUTION

Do not connect the module directly to the USB port of your computer.

- Possible "ground loops" can damage your PC or the module.
- A USB isolation device is recommended to safely connect your PC to the module.



For further information see:
HY17-8388-IB/UK Instructions IQAN-MC2

WARNING

FAILURE OR IMPROPER SELECTION OR IMPROPER USE OF THE PRODUCTS AND/OR SYSTEMS DESCRIBED HEREIN OR RELATED ITEMS CAN CAUSE DEATH, PERSONAL INJURY AND PROPERTY DAMAGE.

This document and other information from Parker Hannifin Corporation, its subsidiaries and authorized distributors provide product and/or system options for further investigation by users having technical expertise. It is important that you analyze all aspects of your application, including consequences of any failure, and review the information concerning the product or system in the current product catalogue. Due to the variety of operating conditions and applications for these products or systems, the user, through its own analysis and testing, is solely responsible for making the final selection of the products and systems and assuring that all performance, safety and warning requirements of the application are met.

The products described herein, including without limitation, product features, specifications, designs, availability and pricing, are subject to change by Parker Hannifin Corporation and its subsidiaries at any time without notice.

