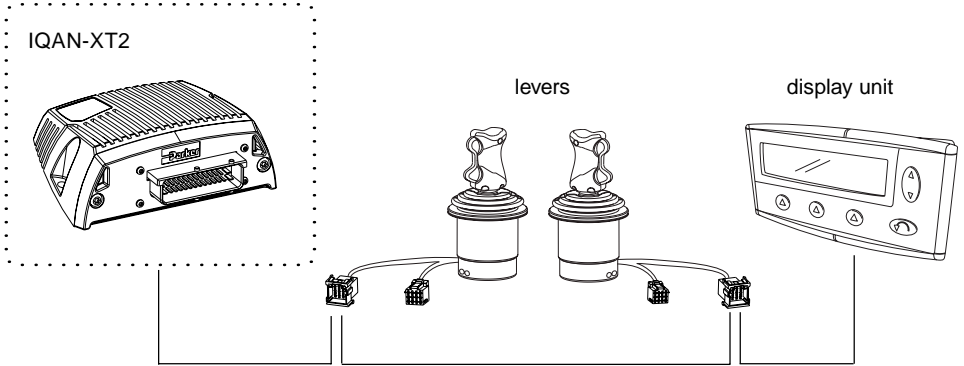


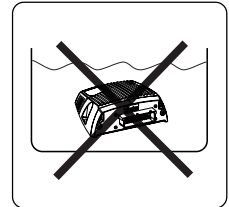
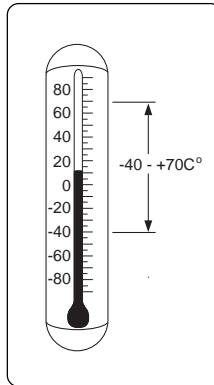
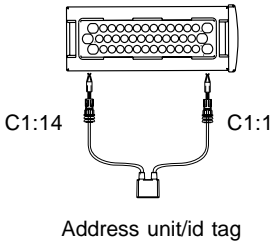
# Installation IQAN-XT2

Publ.no: M5010018A

Ed. A



CAN module  
addressing/terminating

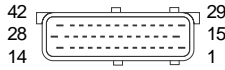
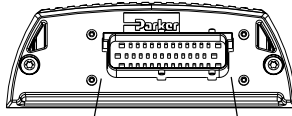


CE  
(89/336/EEC)

For further information see:  
HY17-8321/UK Instructions IQAN-XT2

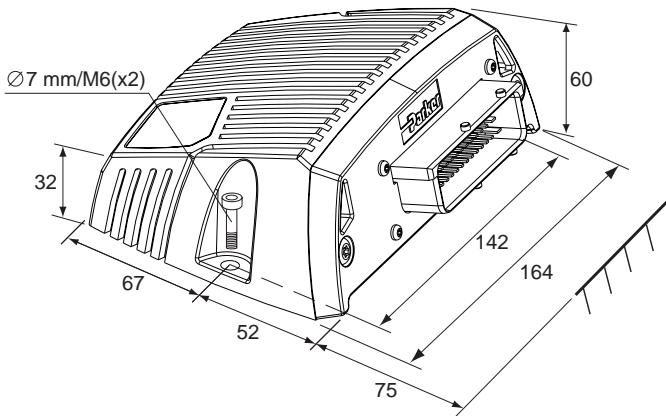
**Parker**

# Wiring diagram



1	ADDR-H	15	-BAT	29	-BAT2
2	DOUT-A	16	CAN-H	30	CAN-L
3	DOUT-B	17	COU-T-A	31	COU-T-A
4	DOUT-C	18	CRET-A+	32	CRET-A-
5	DOUT-D	19	COU-T-B	33	COU-T-B
6	DOUT-E	20	CRET-B+	34	CRET-B-
7	DOUT-F	21	VIN-A	35	VIN-F
8	EGAS+	22	VIN-B	36	VIN-G
9	EGAS-	23	VIN-C	37	VIN-H/FIN-A
10	+VREF-EGAS	24	VIN-D	38	VIN-I/FIN-B
11	-VREF-EGAS	25	VIN-E	39	VIN-J/FIN-C
12	+VREF	26	CAN2-H	40	CAN2-L
13	-VREF	27	CAN-H	41	CAN-L
14	ADDR-L	28	+BAT(+12V, +24V)	42	+BAT2(+12V, +24V)

Mating connector kit: 5031 063



unit = mm