



Model Number

IVI-KHD2-4HD3

System IV control interface
With digital interface (8 inputs/outputs)

Features

- 4 read/write heads connectable
- 8 inputs/outputs
- Programming or reading of 8 bits in data carriers
- 2 inputs for read head numbers
- Control inputs and error output
- LEDs as function indicators

Function

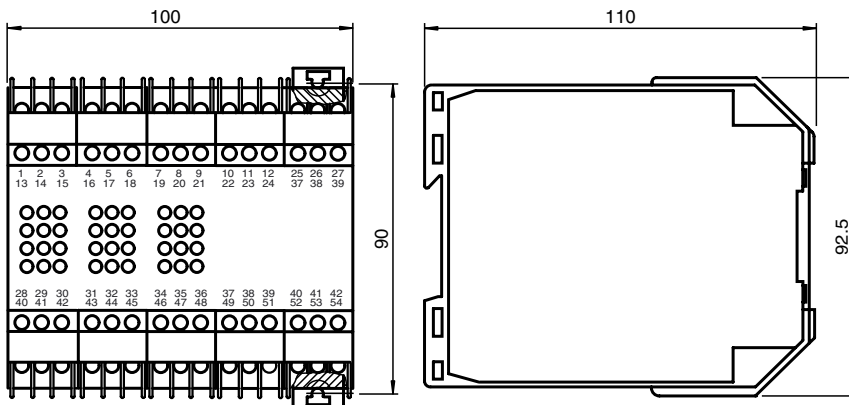
With this control interface unit, 8-bit bit patterns can be programmed or read in the data carrier. For this purpose the device has 8 inputs and outputs for the bit pattern, 2 inputs and outputs for the read head number as well as various control leads.

Up to 4 read heads can be connected to the control interface unit. The programming and read procedures are controlled via the different control inputs. Error conditions are indicated by the error output.

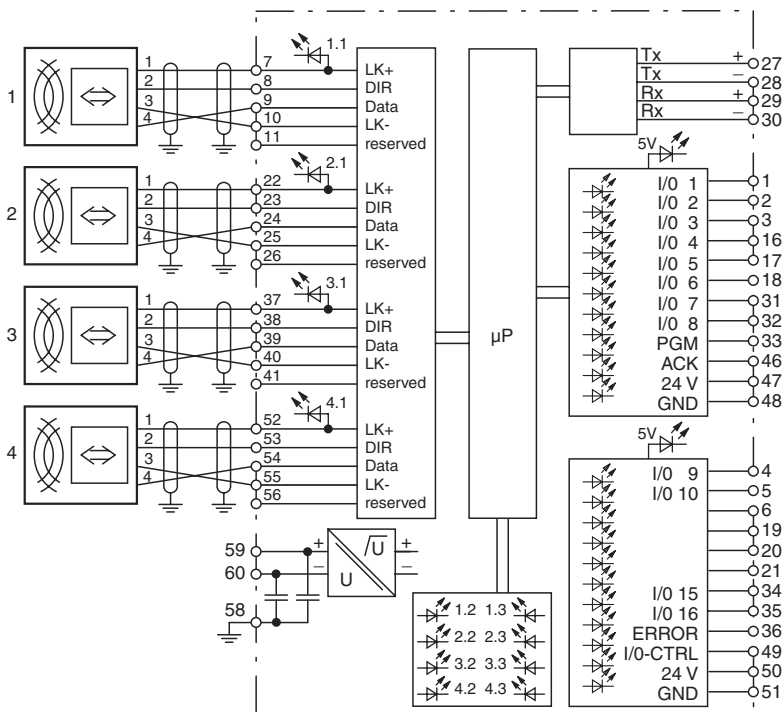
During programming, the inputs and outputs are switched as inputs onto which the bit pattern which is to be programmed is applied. The read head number is prescribed by two inputs and outputs. The programming is started via the programming input at the selected read/write head.

While reading, the inputs and outputs are switched as outputs. When a data carrier is located in front of a head the data carrier is read and the 8 bit of the bit pattern as well as the read head number are switched onto the outputs.

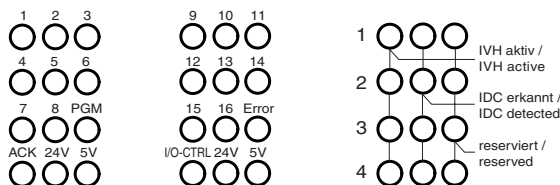
Dimensions



Electrical connection



Indicating / Operating means



Release date: 2015-03-26 12:24 Date of issue: 2015-04-02 036899_eng.xml

Refer to "General Notes Relating to Pepperl+Fuchs Product Information".

Technical data**General specifications**

Number of read/write heads	max. 4
----------------------------	--------

Indicators/operating means

LED green	mains supply 24 V (2 unit) supply of the inputs and outputs 5 V (2 units) read head active (4 units, 1 per head)
LED yellow	read/write head operation successful (4 units, 1 per head) inputs/outputs(16 units, 1 per input/output) direction control input (1 unit) I/O CTRL programming input (1 unit) PGM acknowledgement input ACK
LED red	error (4 LEDs, 1 per head)

Electrical specifications

Rated operating voltage	U_e	18 ... 32 V DC ripple $\leq 10\%$ (terminals 59 and 60, 47 and 48, 50 and 51) 18 ... 30 V DC ripple $\leq 10\%$ (terminals 47 and 48) 18 ... 30 V DC ripple $\leq 10\%$ (terminals 50 and 51)
Current consumption		max. 200 mA load currents at the outputs flow via terminals 47/48 and 50/51
Power consumption	P_0	5 W

Inputs/Outputs

Output rated operating current	I_e	150 mA per data output (average), max. 600 mA per group of 4 outputs; groups 1/2/3/16; 17/18/31/32; 4/5/6/19; 20/21/34/35 ≤ 20 mA per control output
Data lines		8 binary inputs/outputs (I/O 1 ... 8), switchable 1 output "Instruction executed" (I/O 9)
Input level		logic 1: 13 ... 30 V; logic 0: 0 ... 7 V
Output level		logic 1: $U_e - 1$ V; logic 0: ; switched high (at OFF, the output potential is undetermined; short-circuit proof, disconnection of all outputs on overload
Reading head number		2 Inputs/Outputs "Read head number" (I/O 15 and 16)
Control lines		1 direction control input (I/O CNTL), 1 programming input (PGM), 1 acknowledgment input (ACK), 1 error output (ERROR)

Ambient conditions

Ambient temperature	-25 ... 70 °C (-13 ... 158 °F)
Storage temperature	-25 ... 85 °C (-13 ... 185 °F)
Climatic conditions	air humidity max. 75 %

Mechanical specifications

Degree of protection	IP20 according to EN 60529
Connection	self-opening connection terminals, max. core cross-section 2 x 2.5 mm ²
Material	
Housing	Makrolon 6485
Construction type	K-system, 100 mm (5 TE)