

Model Number

IVI-KHD2-4HB6

Control interface unit System IV with PROFIBUS DP interface

Features

- PROFIBUS DP acc. to EN 50170
- Complete read/write functionality via the PROFIBUS DP
- Transmission of up to 14 words, 16 bit each, in one cycle
- Variable module length
- 4 read/write heads connectable
- Address adjustment via DIP switches
- Connectable bus termination
- 3 LEDs as indicators for each read/write head
- LED for power on / bus communication

Function

The control interface unit is operated as a slave on the PROFIBUS-DP. The device makes available the complete read/write functionality. Up to 32 bytes are transmitted per cycle. Of these, up to 14 words, each with 16 bits, are available to the user. The size of the input and output modules is variable. As a result, it is possible, by means of appropriate selections in the GSD file, to optimize the quantity of transmitted data for the given application.

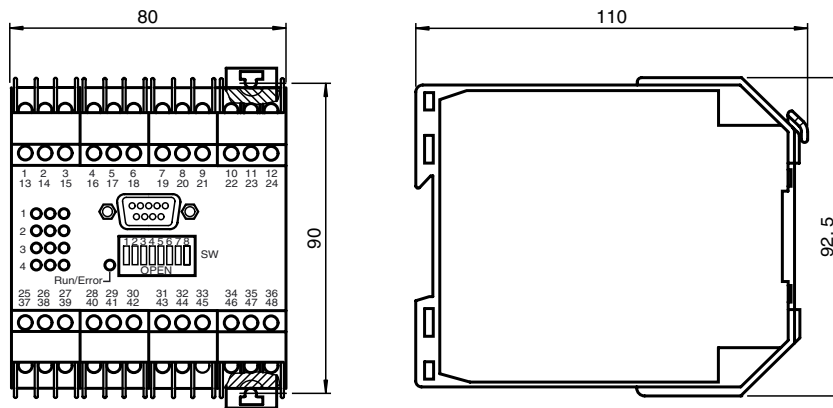
Up to 4 read heads can be connected to the control interface unit.

The address is set via DIP switches, and the terminating resistor for the bus is connected via a rotary switch.

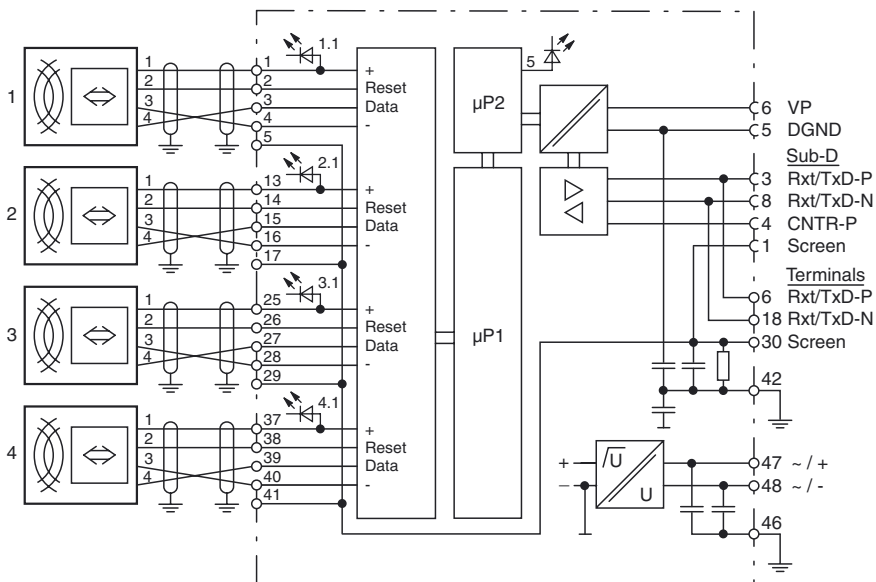
Software

The GSD file is included in the scope of delivery.

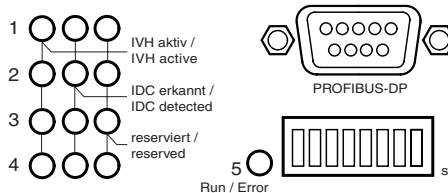
Dimensions



Electrical connection



Indicating / Operating means



Release date: 2015-03-26 12:23 Date of issue: 2015-03-26 04:3261_eng.xml

Technical data**General specifications**

Number of read/write heads	max. 4
----------------------------	--------

Indicators/operating means

LED green	read/write head active (4 LEDs, 1 per head)
LED yellow	Code / data carrier detected (4 LEDs, 1 per head)
LED red	reserved (4 LEDs, 1 per head)
LED red/green	device status permanent green: device operating / bus communication active red-green flashing: device operational / bus communication faulty permanent red: device errors
DIP-switch	setting the station address
Rotary switch	bus termination 0 = not active 1 = active

Electrical specifications

Rated operating voltage	U_e	18 ... 30 V DC , ripple 10 % _{SS}
No-load supply current	I_0	≤ 120 mA with active read head 190 mA
Current consumption		250 mA
Power consumption	P_0	6 W

Interface

Physical	RS-485
Protocol	PROFIBUS DP acc. to EN 50170
Transfer rate	9.6; 19.2; 44.44; 93.75; 187.5; 500; 1500 kBit/s Bit/s (planned 12000) all self synchronising

Ambient conditions

Ambient temperature	-25 ... 70 °C (-13 ... 158 °F)
Storage temperature	-25 ... 85 °C (-13 ... 185 °F)
Climatic conditions	air humidity max. 75 %

Mechanical specifications

Degree of protection	IP20 according to EN 60529
Connection	terminals, max. core cross-section 2 x 2.5 mm ² , 9-pin Sub-D built-in connector
Material	
Housing	Makrolon 6485
Construction type	K-System, 80 mm (4 TE)