



Model Number

IVI-KHD2-4HB5

Control interface unit System IV with INTERBUS interface

Features

- INTERBUS-remote bus subscriber
- Complete read/write functionality via the INTERBUS
- 4 read/write heads connectable
- Transmission of 2 words, 16 bit each, in one cycle
- 3 LEDs as function indicators for each read/write head
- LED for power on / bus communication
- Simple commissioning possible with CMD-tools INTERBUS software

Function

The control interface unit is operated as an INTERBUS remote bus subscriber. The control interface unit uses 8 bytes in the INTERBUS frame protocol; 4 words, each with 16 bits in both directions of communication. Of these, 2 words are available to the user for user data. Only the cyclically transmitted process data channel is used; the parameter channel is not used.

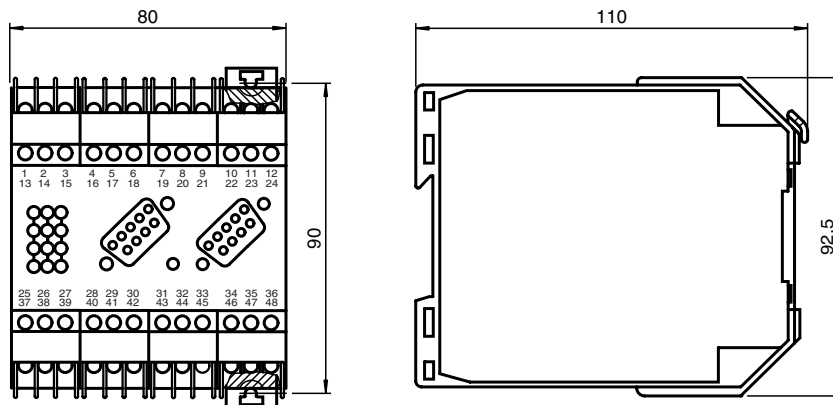
Up to 4 read heads can be connected to the control interface unit.

The subscriber description for the INTERBUS software CMD-tools is supplied, making it possible to easily insert the control interface unit into the CMD subscriber database.

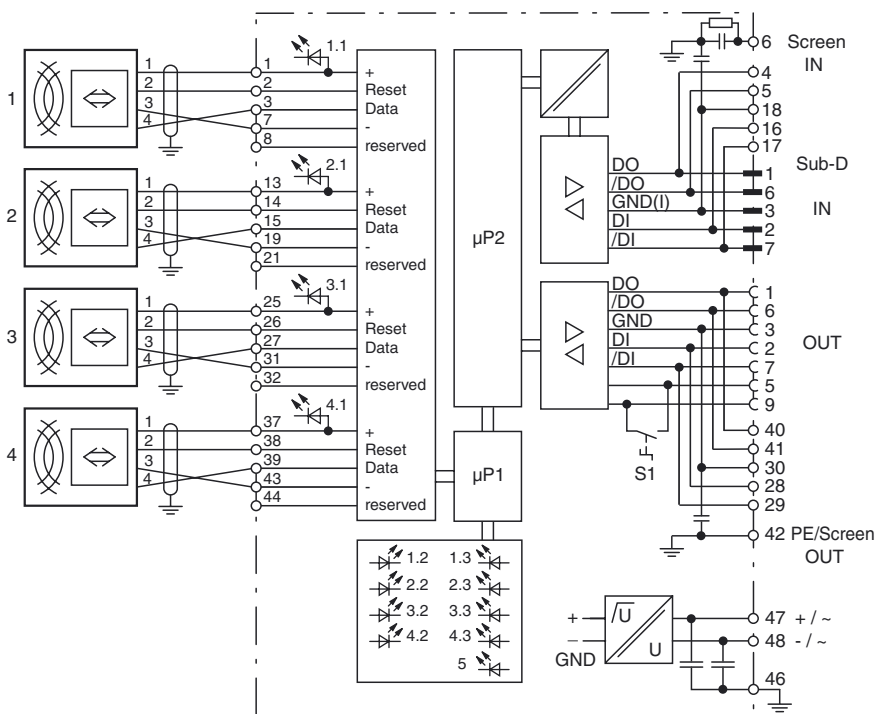
Software

The unit description for the commissioning software "IBS CMD G4" of the INTERBUS is included in the scope of delivery.

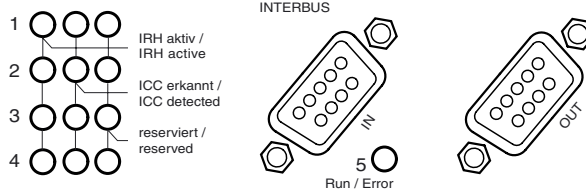
Dimensions



Electrical connection



Indicating / Operating means



Release date: 2015-03-26 12:24 Date of issue: 2015-03-26 048812_eng.xml

Technical data**General specifications**

Number of read/write heads	max. 4
----------------------------	--------

Indicators/operating means

LED green	read/write head active (4 LEDs, 1 per head)
LED yellow	Code / data carrier detected (4 LEDs, 1 per head)
LED red	reserved (4 LEDs, 1 per head)
LED red/green	device status permanent green: device operating / bus communication active red-green flashing: device operational / bus communication faulty permanent red: device errors
Rotary switch	ring termination 0 = closed 1 = bus continued

Electrical specifications

Rated operating voltage	U_e	18 ... 30 V DC , ripple 10 % _{SS}
No-load supply current	I_0	≤ 110 mA
Current consumption		200 mA
Power consumption	P_0	5 W

Interface

Physical	RS-485
Protocol	INTERBUS remote bus
ID code	03

Ambient conditions

Ambient temperature	-25 ... 70 °C (-13 ... 158 °F)
Storage temperature	-25 ... 85 °C (-13 ... 185 °F)
Climatic conditions	air humidity max. 75 %

Mechanical specifications

Degree of protection	IP20 according to EN 60529
Connection	terminals, max. core cross-section 2 x 2.5 mm ² , 9-pin Sub-D built-in connector
Material	
Housing	Makrolon 6485
Construction type	K-System, 80 mm (4 TE)