

### Model number

**VAA-2E1A-F85A-S-V1**

AS-Interface EMERGENCY STOP button

### Features

- 2-channel, compelled connected
- Outwit-proof according to ISO 13850/EN 418
- Integrated illumination in the actuator
- TÜV-approval for system components is available
- Biased actuator for self-monitoring
- EMERGENCY STOP unlocking by turning or pulling
- M12 plug connection

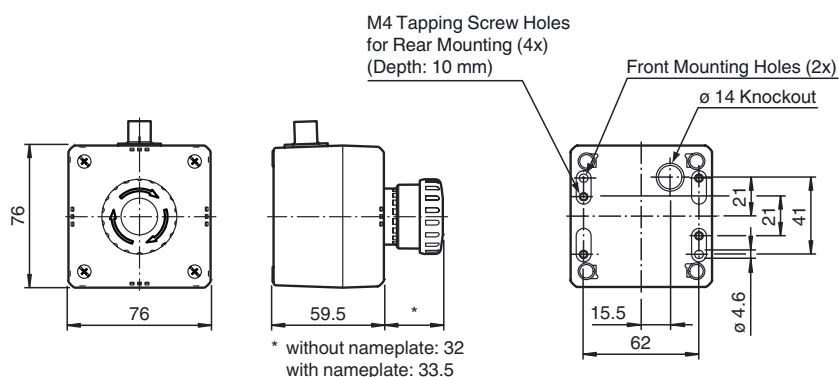
### Function

This AS-Interface emergency shutoff button is a two-channel, positively driven contact, allowing the operation of personnel protection systems when used according to specification along with an AS-Interface safety monitor. It occupies one complete address in the AS-Interface strand.

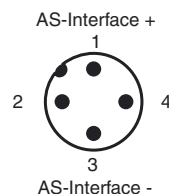
When the safety monitor is properly configured, up to EN 954-1 Category 4 and IEC 61508 SIL 3 can be achieved.

For mounting, the housing of this AS-Interface emergency shutoff button can be screwed directly onto the machine. The button can be illuminated in red.

### Dimensions



### Electrical connection



### Technical data

#### General specifications

Slave type	Safety-Slave
AS-Interface specification	V2.1
Required master specification	≥ V2.0
UL File Number	E198304

#### Functional safety related parameters

MTTF <sub>d</sub>	200 a
B <sub>10d</sub>	1 E+5

#### Electrical specifications

Rated operating voltage	U <sub>e</sub>	26.5 ... 31.6 V from AS-Interface
Rated operating current	I <sub>e</sub>	≤ 40 mA
Protection class		III
Insulation resistance		≥ 100 MΩ

#### Input

Number/Type	2 NC Safety function by positive opening in accordance with IEC/EN 60947-5-1 Reset by pulling
Supply	from AS-Interface

#### Output

Number/Type	LED red
Supply	from AS-Interface

#### Programming instructions

Profile	S-7.B.E
IO code	7
ID code	B
ID1 code	F
ID2 code	E

Data bits (function via AS-Interface)	input	output
D0	dyn. safety code 1	OUT 1
D1	dyn. safety code 1	-
D2	dyn. safety code 2	-
D3	dyn. safety code 2	-

#### Parameter bits (programmable via AS-i) function

P0	not used
P1	not used
P2	not used
P3	not used

**Ambient conditions**

Ambient temperature	-25 ... 50 °C (-13 ... 122 °F) (no freezing)
Storage temperature	-40 ... 70 °C (-40 ... 158 °F)
Relative humidity	40 ... 85 % , noncondensing

**Mechanical specifications**

Operating force	Push: 32 N Pull: 21 N Turn: 0.27 Nm Minimum for positive opening operation: 60 Nm
Operating distance	for positive opening operation: min. 4 mm maximal: 4.5 mm
Protection degree	IP65 Module: IP20
Connection	M12 round connector
Material	
Housing	PC
Mass	195 g
Life span	> 250,000 switching operations

**Compliance with standards and directives**

Directive conformity	
EMC Directive 89/336/EEC	EN 61000-6-2:2005, EN 61000-6-4:2001, EN 50295:1999
Standard conformity	
Electromagnetic compatibility	EN 61000-6-2:2005, EN 61000-6-4:2001, EN 50295:1999
Functional safety	EN 954-1:1996, EN 62061:2005, EN 61508 Parts 1-7:1998-2000, NFPA 79:2002, EN 60204-1:2006
Electrical safety	EN 60947-5-5:2005