



Model number

VAA-3E-HH30-J-S-V1

AS-Interface enabling switch, 3-layered

Features

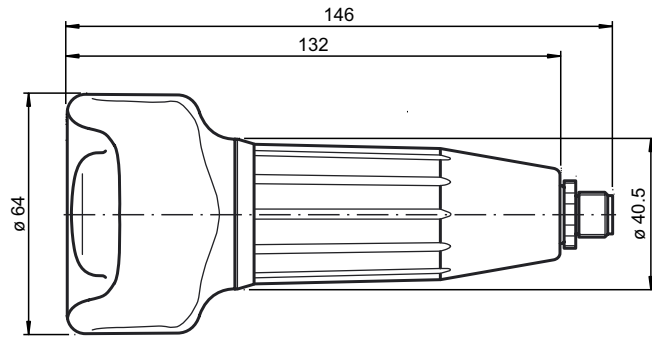
- 3-layered with panic function
- Ergonomic construction with high manipulation security
- M12 plug connection
- Protection degree IP67

Function

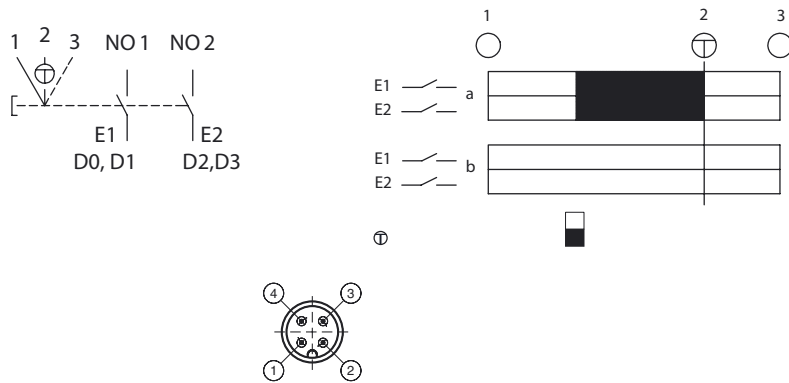
The enabling switch, VAA-3E-HH30-J-S-V1, is a 3-stage actuation switch with 2 inputs. NO contacts E1 and E2 are monitored via the inputs. Evaluation takes place via a safety monitor.

Connection is via an M12 plug. The enabling switch is powered via the AS-Interface. The 3-stage slow-action contact element activates the enabling function only in the second stage. The second stage is the center position and has a pressure point. The enabling function is cancelled by releasing the button as well as by pressing it down. Pressing the button down is also referred to as the panic function. When the depressed button is returned to its initial position, the enabling function is no longer activated. The enabling button has NC contacts for the panic function.

Dimensions



Indicating / Operating means



Technical data

General specifications

Slave type	Safety-Slave
AS-Interface specification	V2.1
Required master specification	≥ V2.0
Switching principle	slow-acting contact element, 3-stage
UL File Number	E179102

Functional safety related parameters

Performance level (PL)	PL d
B _{10d}	1 E+5

Electrical specifications

Rated operating voltage	U _e	26.5 ... 31.6 V from AS-Interface
Rated operating current	I _e	≤ 45 mA
Rated insulation voltage		50 V

Input

Number/Type	2 safety-related inputs: NO E1 NO E2
Supply	from AS-Interface

Programming instructions

Profile	S-0.B
IO code	0
ID code	B
ID1 code	F
ID2 code	E

Data bits (function via AS-Interface)

Input	
D0	dyn. safety code 1
D1	dyn. safety code 1
D2	dyn. safety code 2
D3	dyn. safety code 2

Release date: 2013-03-11 14:28 Date of issue: 2014-01-13 210512_eng.xml

Ambient conditions

Ambient temperature -5 ... 50 °C (23 ... 122 °F)

Mechanical specifications

Protection degree IP67

Connection M12 x 1 connector

Material

Housing Polyamide (PA)

Protective cover Neoprene

Mass approx. 140 g (without conduction)

Life span 10⁵ cycles

Compliance with standards and directives

Directive conformity

EMC Directive 2004/108/EC EN 50295, IEC 62026-2

Standard conformity

Functional safety DIN EN 954-1, EN ISO 13849-1 (up to PL_d)

Accessories

VAZ-HH30-BRACKET

Bracket for VAA-3E-HH30-J-S-V1

VAZ-T1-FK-V1

Splitter box AS-Interface to 1x M12 round connector

V1-G-0,6M-PUR-V1-G

Connection cable, M12 to M12, PUR cable, 4-pin

V1-G-1M-PUR-V1-G

Connection cable, M12 to M12, PUR cable, 4-pin

V1-G-10M-PUR-V1-G

Connection cable, M12 to M12, PUR cable, 4-pin

Release date: 2013-03-11 14:28 Date of issue: 2014-01-13 210512_eng.xml