



### Model number

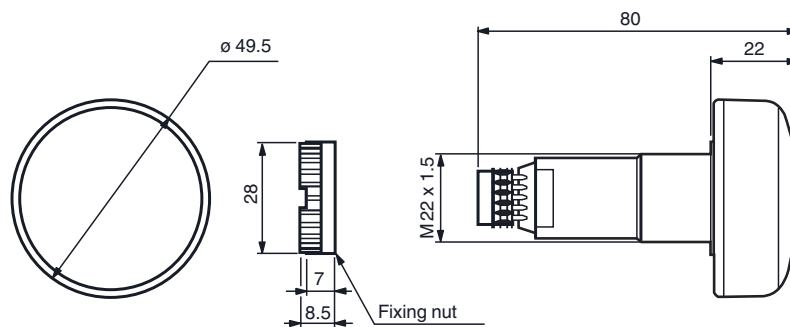
#### VAZ-BUZZER/LT-RD

buzzer element with acknowledgment

### Features

- Good all-round visibility
- Shrill, continuous tone, with 80 dB
- Long service life due to long-lasting LEDs
- Simple connection via screw terminal
- splash and dust resistant
- Degree of protection: IP 65
- Acknowledge/silence the audible signal by lightly pressing the frontal area

### Dimensions



### Technical data

#### General specifications

UL File Number	E223176
Color	red
Frequency	2.8 kHz Continuous signal
Loudness	80 dB

#### Indicators/operating means

LED red	active
---------	--------

#### Electrical specifications

Rated operating voltage	$U_e$	24 V DC
Rated operating current	$I_e$	≤ 80 mA
Inrush current		< 500 mA

#### Ambient conditions

Ambient temperature	-20 ... 50 °C (-4 ... 122 °F)
---------------------	-------------------------------

#### Mechanical specifications

Protection degree	IP65
Connection	plug-in screw terminals Wire cross section: ≤ 1.5 mm <sup>2</sup> fine-strand
Material	PC/ABS
Mass	40 g
Life span	50000 h (Acoustic: min. 5000 h)

#### Compliance with standards and directives

Directive conformity	
EMC Directive 2004/108/EC	EN 60947-5-1:2005 EN 60947-1:2007
Standard conformity	
Protection degree	EN 60529:2000