



Model Number

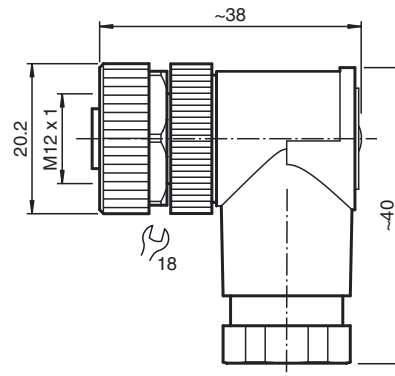
V1-W-BK

Female connector, M12, 4-pin, field attachable

Features

- Screw terminal connection
- Metal locking

Dimensions



Technical data

General specifications

Number of pins	4
Connection 1	socket
Construction type 1	right angle
Threading 1	M12
UL File Number	E363587

Electrical specifications

Operating voltage	U_B	max. 250 V AC/DC
Operating current		max. 4 A
Volume resistance		< 8 m Ω

Ambient conditions

Ambient temperature	-40 ... 85 °C (-40 ... 185 °F)
Pollution Degree	3

Mechanical specifications

Degree of protection	IP67
Connection	1 x M12 right-angled socket Screw terminals for max. 0.75 mm ² , AWG 18
Material	
Contacts	CuZn
Contact surface	CuSnZn
Body	PBT, black
Slotted nut	CuZn, nickel-plated
Cable	
Sheath diameter	4 ... 6 mm
Mating cycles	50

Compliance with standards and directives

Standard conformity	
Degree of protection	EN 60529:2000

Electrical connection

