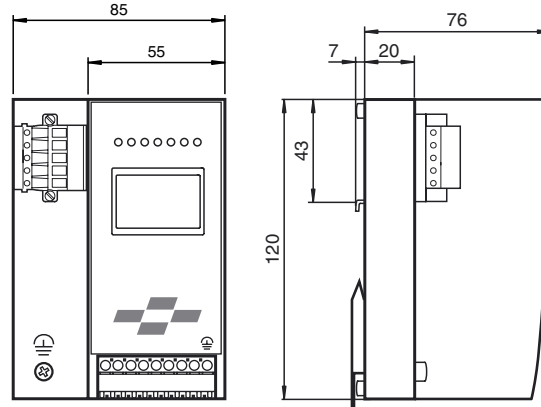
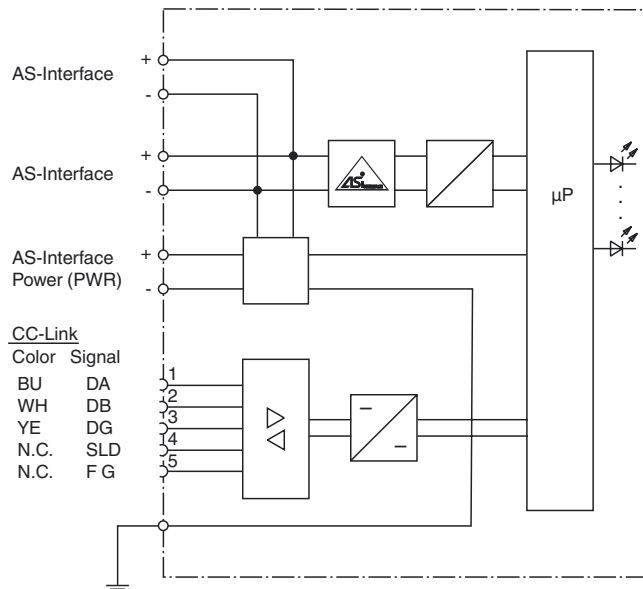




**Dimensions**



**Electrical connection**



At the cable for power supply no slaves or repeaters may be attached.  
At the cable for AS-Interface circuit no power supplies or further masters may be attached.

**Model number**

**VBG-CCL-K20-D-BV**

CC-Link gateway

**Features**

- Gateway compliant with AS-Interface specification 3.0
- Fault diagnosis via LEDs and graphic display
- Easy commissioning by graphic display
- AS-Interface monitor read via display
- Earth fault detection
- AS-Interface noise detection

**Function**

The VBG-CCL-K20-D-BV is a CC-Link Gateway with an integrated AS-Interface master in accordance with AS-Interface Specification 3.0 in IP20. The design is especially suitable for use in the switch cabinet.

There are 7 LEDs on the front panel, showing the current status of the AS-Interface line.

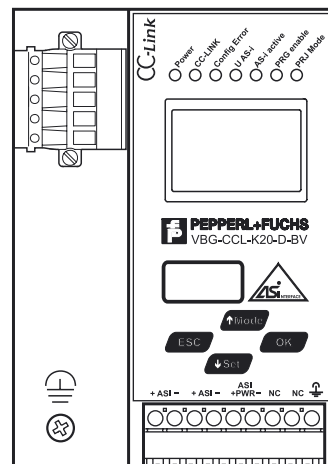
In the case of the AS-Interface Gateway with graphical display, the AS-Interface circuit can be placed in service and the test of the connected periphery can be kept entirely separate from the commissioning of the CC-Link and the programming.

**Accessories**

**VAZ-SW-ACT32**

Full version of the AS-I Control Tools including connection cable

**Indicating / Operating means**



Release date: 2012-08-31 15:28 Date of issue: 2014-01-13 245605\_eng.xml

**Technical data****General specifications**

|                            |                |
|----------------------------|----------------|
| AS-Interface specification | V3.0           |
| Earth fault detection      | EFD integrated |
| EMC monitoring             | integrated     |
| UL File Number             | E223772        |

**Indicators/operating means**

|                 |  |
|-----------------|--|
| Display         | Illuminated graphical LC display for addressing and error messages |
| LED AS-i ACTIVE | AS-Interface operation normal; LED green                           |
| LED CONFIG ERR  | configuration error; LED red                                       |
| LED PRG ENABLE  | Automatic addressing active; LED green                             |
| LED POWER       | voltage ON; LED green  |
| LED PRJ MODE    | Configuration mode active; LED yellow                              |
| LED U AS-i      | AS-Interface voltage; LED green                                    |
| LED CC-Link     | CC link in operation; LED green<br>CC Link error; LED red          |
| Button          | 4  |
| Switch SET      | Selection and setting of a slave address                           |
| OK button       | Mode selection traditional-graphical/confirmation                  |
| Button MODE     | Mode selection PRJ-operation/save configuration/cursor             |
| ESC button      | Mode selection traditional-graphical/cancel                        |

**Electrical specifications**

|                         |       |                                 |
|-------------------------|-------|---------------------------------|
| Insulation voltage      | $U_i$ | $\geq 500$ V                    |
| Rated operating voltage | $U_e$ | from AS-Interface 30 V DC       |
| Rated operating current | $I_e$ | $\leq 200$ mA from AS-Interface |

**Interface 1**

|                |                                    |
|----------------|------------------------------------|
| Interface type | Remote device, 3 occupied stations |
| Protocol       | according to CC-Link specification |
| Transfer rate  | 156 Bit/s up to 10 MBit/s          |

**Connection**

|              |                             |
|--------------|-----------------------------|
| AS-Interface | spring terminals, removable |
| CC Link      | 5-pin screw terminal        |

**Ambient conditions**

|                     |                                |
|---------------------|--------------------------------|
| Ambient temperature | 0 ... 55 °C (32 ... 131 °F)    |
| Storage temperature | -25 ... 85 °C (-13 ... 185 °F) |

**Mechanical specifications**

|                   |                                       |
|-------------------|---------------------------------------|
| Protection degree | IP20                                  |
| Material          |                                       |
| Housing           | Stainless steel                       |
| Mass              | 520 g                                 |
| Construction type | Low profile housing , Stainless steel |

**Compliance with standards and directives**

|                           |                                      |
|---------------------------|--------------------------------------|
| Directive conformity      |                                      |
| EMC Directive 2004/108/EC | EN 61000-6-2:2006, EN 61000-6-4:2007 |
| Standard conformity       |                                      |
| AS-Interface              | EN 50295:1999                        |