



### Model Number

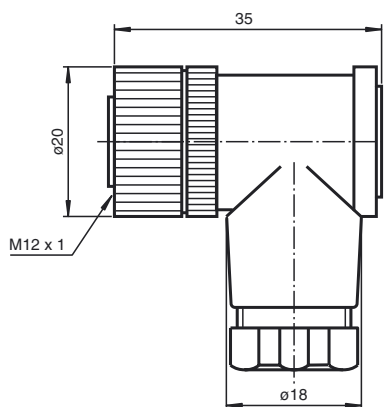
#### V1-W-E/E2-LED-SET

Field-attachable female single-ended cordset, M12, 4-pin, with LED PCB

### Features

- Gold plated contacts

### Dimensions



### Technical data

#### General specifications

Number of pins	4
UL File Number	E363587

#### Indicators/operating means

LED green	Operating display
LED yellow	Functional display NO

#### Electrical specifications

Operating voltage	$U_B$	max. 24 V DC $\pm$ 15%
Operating current		max. 4 A
Volume resistance		< 3 m $\Omega$

#### Ambient conditions

Ambient temperature	-40 ... 85 °C (-40 ... 185 °F)
Pollution Degree	3

#### Mechanical specifications

Degree of protection	IP67
Connection	1 x M12 right-angled socket Screw terminals for max. 0.75 mm <sup>2</sup> PG7 cable gland
Material	
Contacts	CuZn
Contact surface	Au
Body	PBT
Slotted nut	CuZn, nickel-plated
Cable	
Sheath diameter	4 ... 6 mm

#### Compliance with standards and directives

Standard conformity	
Degree of protection	EN 60529:2000

### Electrical connection

