



ASC77.1E



ASC77.2E

OpenAir™

External Auxiliary Switches

ASC77.1E
ASC77.2E

Auxiliary switches designed for use with all rotary version types of GCA, GBB, GIB, GMA and GEB damper actuators.

- Prewired, complete with standard connecting cables of 0.9 m length, 3 x 0.75 mm² (ASC77.1E) or 6 x 0.75 mm² (ASC77.2E)
- Rated voltage AC 24...250 V / DC 12...30 V
- Switching points can be selected across the entire rotational angle range of 5...90 ° at increments of 5 °
- Switch position easy to read
- Current damper position indicated by position indicator

Use

The auxiliary switches are used to extend the scope of functions of all rotary version types of GCA, GBB, GIB, GMA and GEB damper actuators and to upgrade existing actuators that have no switching functions integrated.

Technical data

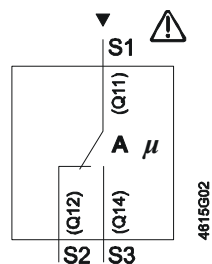
	Rated voltage AC	AC 24...250 V
	Contact rating	6(2) A
	Frequency	50/60 Hz
	Rated voltage DC	DC 12...30 V
	Contact rating	2 A
Environmental conditions	Operation	IEC 721-3-3
	Temperature	-32...+55 °C
	Humidity (noncondensing)	< 95 % r. h.
	Transport	IEC 721-3-2
	Temperature	-32...+70 °C
	Humidity (noncondensing)	< 95 % r. h.

Standards	Safety class to EN 60730	II
	Degree of protection to EN 60529	IP54
Weight	Product safety:	
	Automatic electrical controls for household and similar use	EN 60730-1
	Electromagnetic compatibility:	
	Emissions	EN 61000-6-3
Weight	CE conformity	
	Low-voltage directive	2006/95/EC
	Without packaging	0.48 kg

Internal diagrams

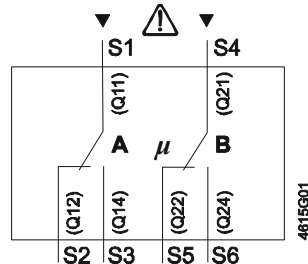
ASC77.1E

AC 24 V...250 V / 6(2) A
DC 12...30 V / 2 A



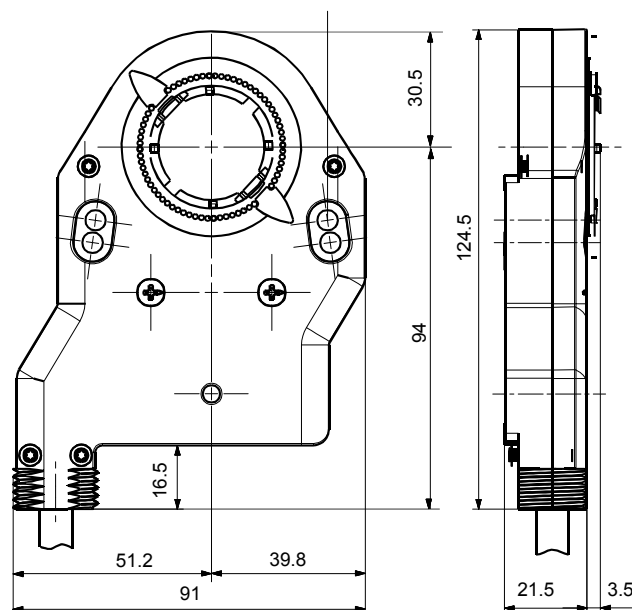
ASC77.2E

AC 24 V...250 V / 6(2) A
DC 12...30 V / 2 A



Voltage	Switch A (S1)	Switch B (S4)	Yes / No
AC 24 V	AC 24 V	AC 24 V	Yes
AC 230 V	L1 (live)	L1 (live)	Yes
	L2	L2	Yes
	L3	L3	Yes
	Lx (live)	≠ Lx (live)	No
Mixed	AC 24 V	AC 230 V	No
	AC 230 V	AC 24 V	No

Dimensions



Dimensions in mm