



## ALB24.1

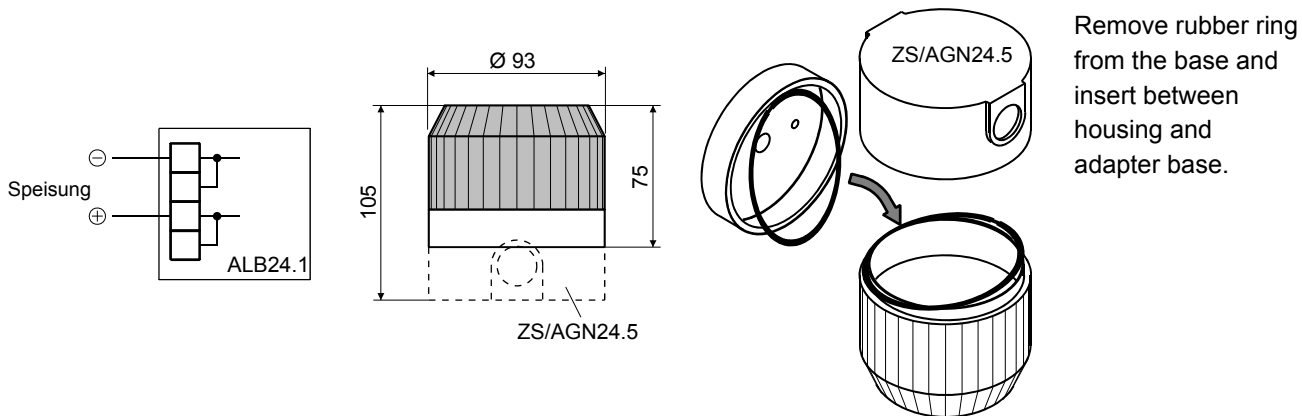
AlgoRex  
Synova™

### Flashing signal lamp

---

- **Powerful light intensity generated by electronic flash tube**
- **Ribbed dome with strong diffusion**
- **Application**
  - Ideal for noisy environments
  - To identify buildings, entrances and exits: help can be brought quickly in an emergency
  - For inside and outside application
- **Design**
  - Dome made of polycarbonate
  - Encapsulated electronics
  - White base, removable for simple installation
  - Rubber ring
  - Adapter base for cable entry with screwed cable gland
  - Line monitoring possible by changing the polarity of the power supply

## Connection / Changing bases



## Technical data

Discharge energy	2 Joule
Flash frequency	ca. 1 Hz (60/ min.)
Electrical connection	
- Operating voltage	20... 30 VDC
- Operating current (continuous operation)	155 mA (3,7 W)
Protection against reversed polarity	yes
Operating temperature	-20... +55 °C
Protection category EN 60529/IEC 529 with adapter base	IP65
Terminals for wire cross-sectional area up to	1.5 mm <sup>2</sup>
Approvals	
- VdS	G207018

## Details for ordering

Type	Part no	Designation	Weight
ALB24.1OR	BPZ:5154140001	Flashing signal lamp, orange	0.291 kg
ALBR24.1R	BPZ:5154270001	Flashing signal lamp, red	0.291 kg
ZS/AGN24.5	BPZ:4242620001	Adapter base, white	0.089 kg