



Main

Range of product	OsiSense XG
Product or component type	Connection Profibus box
Device short name	XGSZ33
Number of channels	3
Communication port protocol	Profibus DP V1
Associated smart antenna	XGCS49 XGCS89
Electrical connection	1 female connector M12 4 pins for PC connection (A encoding) 1 female connector M12 5 pins for network output (B encoding) 1 male connector M12 4 pins for power supply (A encoding) 1 male connector M12 5 pins for network input (B encoding) 3 female connectors M12 5 pins for stations XGCS (A encoding)
[Us] rated supply voltage	24 V DC conforming to Protective Extra Low Voltage

Complementary

Supply voltage limits	21.6...26.4 V DC
Power consumption	< 2.5 W
Status LED	1 dual color LED (red/green) for diagnostics 1 dual color LED (red/green) for RFID communication 1 LED (green) for communication network 1 LED (red) for diagnostics
Communication service	Cyclical variable exchange
Register words	1..49 words
Transmission support medium	2 twisted shielded pairs cable
Transmission rate	9.6 kbit/s...12000 kbit/s
Marking	CE
Product weight	1.06 kg

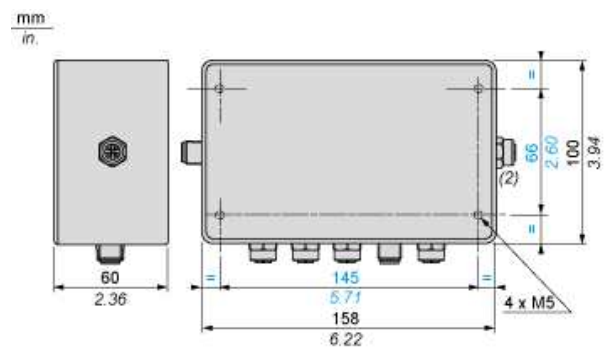
Environment

Product certifications	Profibus
Ambient air temperature for operation	0...55 °C
Ambient air temperature for storage	-25...85 °C
Relative humidity	30...95 %
IP degree of protection	IP65
EMC filter	Class B EMC filter conforming to EN 55022 Level 3 EMC filter conforming to IEC 61000

The information provided in this documentation contains general descriptions and/or technical characteristics of the performance of the products contained herein. This documentation is not intended as a substitute for and is not to be used for determining suitability or reliability of these products for specific user applications. It is the duty of any such user or integrator to perform the appropriate and complete risk analysis, evaluation and testing of the products with respect to the relevant specific application or use thereof. Neither Schneider Electric Industries SAS nor any of its affiliates or subsidiaries shall be responsible or liable for misuse of the information contained herein.

Dimensions

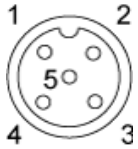
Connection Boxes



Wiring Diagram

PROFIBUS-DP Connections

Socket to Smart Antenna Cabling



Pin no.	Signal
1	Earth
2	+ 24 VDC
3	0 V
4	D0
5	D1

Socket to Power Supply Cabling



Pin no.	Signal
1	+ 24 VDC
2	+ 24 VDC
3	0 V
4	0 V

PROFIBUS-DP network connections (Input)



PROFIBUS-DP network connections (Output)



Pin no.	Signal	Description
1	VP	Line terminator polarization
2	RxD/TxD-N	Receive/transmit data (-) (red wire)
3	DGND	GND PROFIBUS
4	RxD/TxD-P	Receive/transmit data (+) (green wire)
5	Shielding	Shielding or earth
Connector casing	Shielding	Shielding or earth