



## Main

Range of product	OsiSense XCC
Encoder type	Multiturn absolute encoder fieldbus
Encoder name	XCC
Product specific application	-
Diameter	58 mm
Bus type	Profibus DP 3.062 V1.1. IEC 61158, EN 50170 class 2, IEC 61784, EN 50254
Shaft diameter	15 mm
Shaft type	Hollow
Resolution	4096 turns/8192 points
Electrical connection	3 cable glands Pg 9 radial external supply
Type of output stage	PROFIBUS-DP 25-bit
[Us] rated supply voltage	24 V DC
Transmission rate	9.6 kbit/s...12000 kbit/s
Enclosure material	Aluminium

## Complementary

Shaft tolerance	F7
Supply voltage limits	10...30 V DC
Maximum revolution speed	6000 rpm
Shaft moment of inertia	30 g.cm <sup>2</sup>
Torque value	0.003 N.m
Maximum load	11 daN radial
Output frequency	800 kHz
Current consumption	0...100 mA no-load
Protection type	Reverse polarity protection Voltage peaks protection
Status LED	1 LED red error 1 LED green status
Surge withstand	0.5 kV level 1 IEC 61000-4-5
Base material	Aluminium
Shaft material	Stainless steel
Type of ball bearings	6803ZZ
Product weight	0.57 kg

## Environment

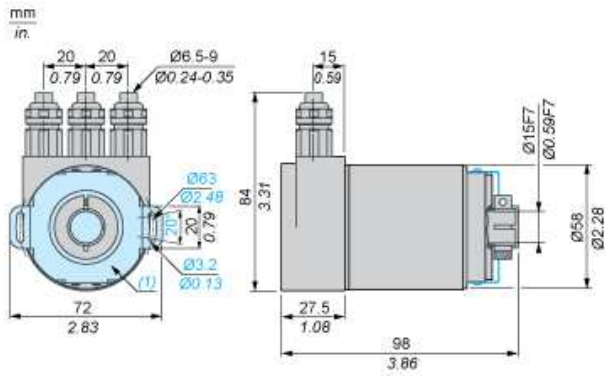
Product certifications	DIN VDE 0160 PNO Schneider Electric interoperability standards
Marking	CE
Ambient air temperature for operation	-40...85 °C
Ambient air temperature for storage	-40...85 °C
IP degree of protection	IP64 IEC 60529
Vibration resistance	10 gn (10...2000 Hz) IEC 60068-2-6
Shock resistance	100 gn (6 ms) IEC 60068-2-27
Resistance to electrostatic discharge	4 kV air discharge level 2 IEC 61000-4-2 2 kV contact discharge level 2 IEC 61000-4-2

Resistance to electromagnetic fields	10 V/m level 3 IEC 61000-4-3
Resistance to fast transients	2 kV power ports level 3 IEC 61000-4-4 1 kV signal ports level 3 IEC 61000-4-4

### Offer Sustainability

Sustainable offer status	Not Green Premium product
RoHS (date code: YYWW)	Will be Compliant on 4Q2013
REACH	Reference not containing SVHC above the threshold

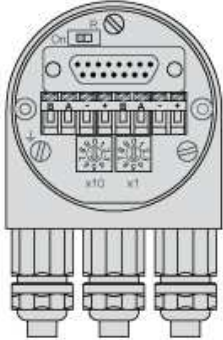
## Dimensions



(1) Flexible mounting kit, 1 x XCCRF5B mounted

Wiring Diagram

PROFIBUS-DP Connections

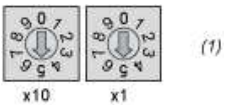


Bus termination resistor



- (1) 1st or last encoder
- (2) Encoder X

Permissible address range



- (1) 0 => 99

Terminal	Grounding	B (left)	A (left)	-	+
Function	Earth	Bus line B (Bus in)	Bus line A (Bus in)	0 V	11-30 V

Terminal	B (right)	A (right)	-	+
Function	Bus line B (Bus out)	Bus line A (Bus out)	0 V	11-30 V