



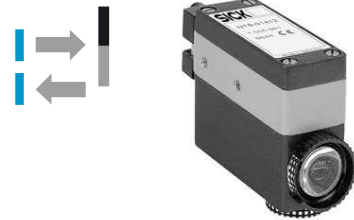
Contrast sensors NT8

NT8-02412



Model Name > [NT8-02412](#)

Part No. > [1005985](#)



- White light source
- Light- or dark-switching selectable
- Rapid response times
- Adjustable switching threshold



Features

Dimensions (L x W x H):	58.8 mm x 76 mm x 30 mm
Sensing distance ¹⁾ :	9 mm
Sensing distance tolerance:	± 2 mm
Light source ²⁾ :	Incandescent lamp white
Light emission:	Long and short side of housing, exchangeable
Light spot size:	1.5 mm x 3.5 mm
Light spot direction ³⁾ :	Vertical
Supply voltage lamp:	4,5 V ± 10%
Power consumption lamp:	840 mA
Adjustment:	Manual adjustment, potentiometer
Function:	Light/dark switching

¹⁾ From front edge of lens ²⁾ Average service life of 10,000 h at T_A = + 25 °C ³⁾ In relation to long side of housing

Mechanics/electronics

Supply voltage V _s :	DC 10 V ... 30 V
Ripple:	≤ 5 V _{pp}
Current consumption ¹⁾ :	< 50 mA
Switching frequency ²⁾ :	10 kHz
Response time ³⁾ :	> 50 μs
Output type:	NPN: HIGH = approx. V _S / LOW ≤ 2 V
Switching mode:	NPN
Connection type:	2 m cable without plug ⁴⁾
Protection class ⁵⁾ :	II
Circuit protection:	Output Q short-circuit protected, Interference suppression, V _S connections reverse-polarity protected
Enclosure rating:	IP 67
Weight:	Ca. 300 g
Housing material:	Die-cast zinc
Output current I _{max.} :	200 mA

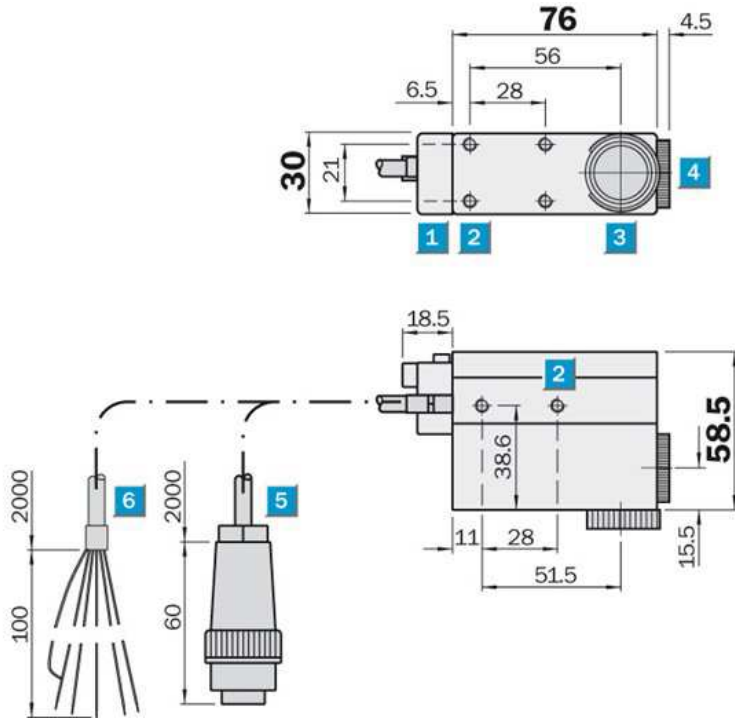
1) Without load 2) With light/dark ratio 1:1 3) Signal transit time with resistive load 4) Below 0 °C no deformation of cable 5) Reference voltage 50 V DC

Ambient data

Ambient temperature: Operation: 0 ... 55 °C
Storage: -25 ... 85 °C

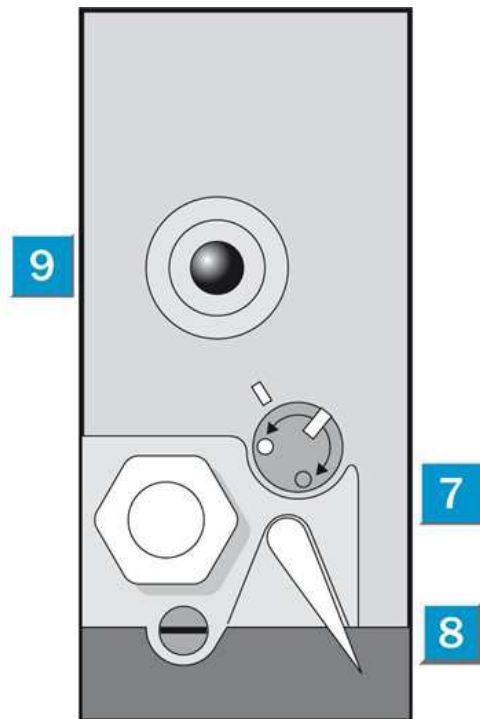
Shock load: According to IEC 60068

Dimensional drawing



- [1]
- [2] M5 threaded mounting hole, 5.5 mm deep
- [3]
- [4] Lens (light transmission), can be exchanged for pos. 3
- [5]
- [6]
- [7] Switching threshold adjustment
- [8]
- [9] Function signal indicator

Adjustments

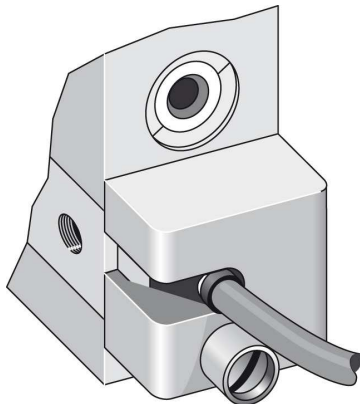


|7| Switching threshold adjustment

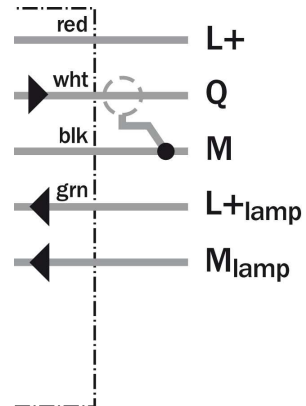
|8|

|9| Function signal indicator

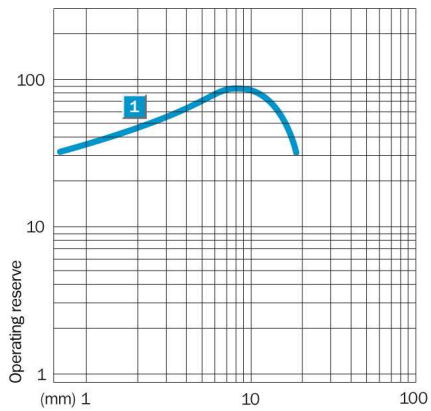
Connection type



Connection diagram



Operating reserve



Australia

Phone +61 3 9457 0600
1800 33 48 02 – tollfree
E-Mail sales@sick.com.au

Belgium/Luxembourg

Phone +32 (0)2 466 55 66
E-Mail info@sick.be

Brasil

Phone +55 11 3215-4900
E-Mail marketing@sick.com.br

Canada

Phone +1 905 771 14 44
E-Mail information@sick.com

Česká republika

Phone +420 2 57 91 18 50
E-Mail sick@sick.cz

China

Phone +86 4000 121 000
E-Mail info.china@sick.net.cn
Phone +852-2153 6300
E-Mail ghk@sick.com.hk

Danmark

Phone +45 45 82 64 00
E-Mail sick@sick.dk

Deutschland

Phone +49 211 5301-301
E-Mail info@sick.de

España

Phone +34 93 480 31 00
E-Mail info@sick.es

France

Phone +33 1 64 62 35 00
E-Mail info@sick.fr

Great Britain

Phone +44 (0)1727 831121
E-Mail info@sick.co.uk

India

Phone +91-22-4033 8333
E-Mail info@sick-india.com

Israel

Phone +972-4-6881000
E-Mail info@sick-sensors.com

Italia

Phone +39 02 27 43 41
E-Mail info@sick.it

Japan

Phone +81 (0)3 5309 2112
E-Mail support@sick.jp

Magyarország

Phone +36 1 371 2680
E-Mail office@sick.hu

Nederland

Phone +31 (0)30 229 25 44
E-Mail info@sick.nl

Norge

Phone +47 67 81 50 00
E-Mail sick@sick.no

Österreich

Phone +43 (0)22 36 62 28 8-0
E-Mail office@sick.at

Polska

Phone +48 22 837 40 50
E-Mail info@sick.pl

România

Phone +40 356 171 120
E-Mail office@sick.ro

Russia

Phone +7-495-775-05-30
E-Mail info@sick.ru

Schweiz

Phone +41 41 619 29 39
E-Mail contact@sick.ch

Singapore

Phone +65 6744 3732
E-Mail sales.gsg@sick.com

Slovenija

Phone +386 (0)1-47 69 990
E-Mail office@sick.si

South Africa

Phone +27 11 472 3733
E-Mail info@sickautomation.co.za

South Korea

Phone +82 2 786 6321/4
E-Mail info@sickkorea.net

Suomi

Phone +358-9-25 15 800
E-Mail sick@sick.fi

Sverige

Phone +46 10 110 10 00
E-Mail info@sick.se

Taiwan

Phone +886 2 2375-6288
E-Mail sales@sick.com.tw

Türkiye

Phone +90 (216) 528 50 00
E-Mail info@sick.com.tr

United Arab Emirates

Phone +971 (0) 4 88 65 878
E-Mail info@sick.ae

USA/México

Phone +1(952) 941-6780
1 (800) 325-7425 – tollfree
E-Mail info@sickusa.com

More representatives and agencies
at www.sick.com