



Contrast sensors NT6, NT6

NT6-04018



Model Name > [NT6-04018](#)
Part No. > [1007478](#)



Illustration may differ

At a glance

- RGB, white LEDs and red lasers
- Bar graph display visually indicates contrast performance (KT5, KT10)
- High switching frequency
- Various teach-in and manual potentiometer versions to meet individual requirements
- Automatic gloss adjustment for highly reflective materials
- A range of sensing distances and light spots for numerous applications
- Tough, compact metal housing

Your benefits

- Able to process all packaging materials (yellow mark/white background), resulting in high machine throughput
- Reliable operation, even with jittering webs and high-gloss materials
- High positioning accuracy improves packaging quality
- Simple teach-in and highly visible light spot ensure easy setup
- Simple to integrate into machines due to compact design
- Interchangeable lenses for maximum mounting flexibility
- A range of sensing distances, light spot directions and a 90° rotatable plug enables optimal integration
- Application-specific teach-in processes provide maximum flexibility

The product has been discontinued. Please contact your SICK sales representative for more information about a replacement product.



Features

Dimensions (L x W x H):	64 mm x 80 mm x 30.4 mm
Sensing distance:	9 mm
Sensing distance tolerance:	± 2 mm
Light source ¹⁾ :	LED red, green
Light emission:	Long and short side of housing, exchangeable
Light spot size:	1.5 mm x 4 mm (red), 1.5 mm x 5 mm (green)
Light spot direction ²⁾ :	Vertical
Adjustment:	Manual adjustment, potentiometer

¹⁾ Average service life of 10,000 h at $T_A = +25\text{ °C}$ ²⁾ In relation to long side of housing

Mechanics/electronics

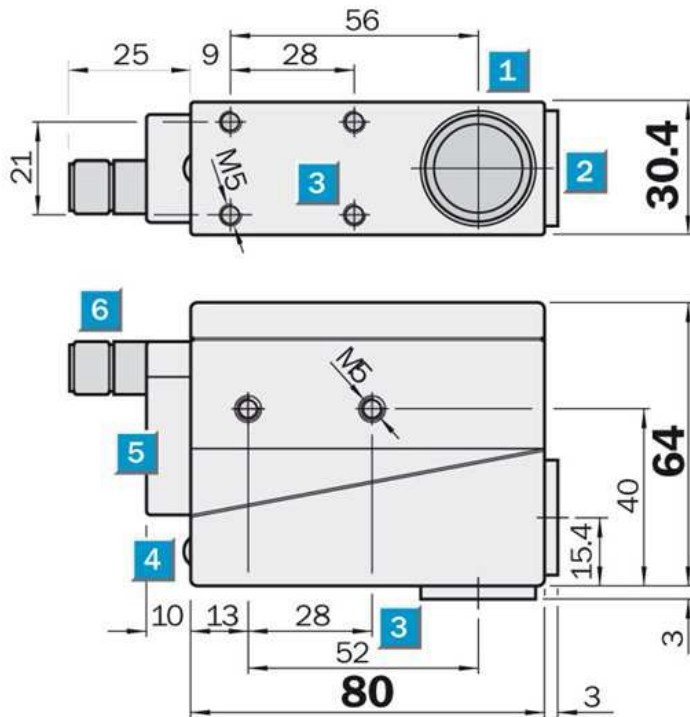
Supply voltage V_s :	DC 10 V ... 30 V
Ripple:	≤ 5 Vpp
Current consumption ¹⁾ :	< 80 mA
Switching frequency ²⁾ :	10 kHz
Response time ³⁾ :	> 50 μ s
Output type:	PNP: HIGH = $V_s - \leq 2$ V / LOW approx. 0 V
Analog output QA:	0.15 V ... 6 V
Connection type:	Connector M12, 4-pin ⁴⁾
Circuit protection:	Output Q short-circuit protected, Interference suppression, VS connections reverse-polarity protected
Enclosure rating:	IP 67
Weight:	Approx. 540 g (with cable)
Housing material:	Die-cast zinc
Output current $I_{max.}$:	200 mA

¹⁾ Without load ²⁾ With light/dark ratio 1:1 ³⁾ Signal transit time with resistive load ⁴⁾ Do not bend below 0 °C

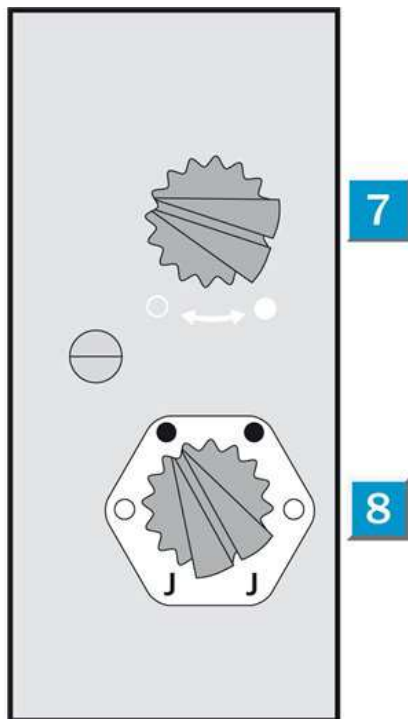
Ambient data

Ambient temperature:	Operation: 0 ... +50 °C, Storage: -25 ... +75 °C
Shock load:	According to IEC 60068

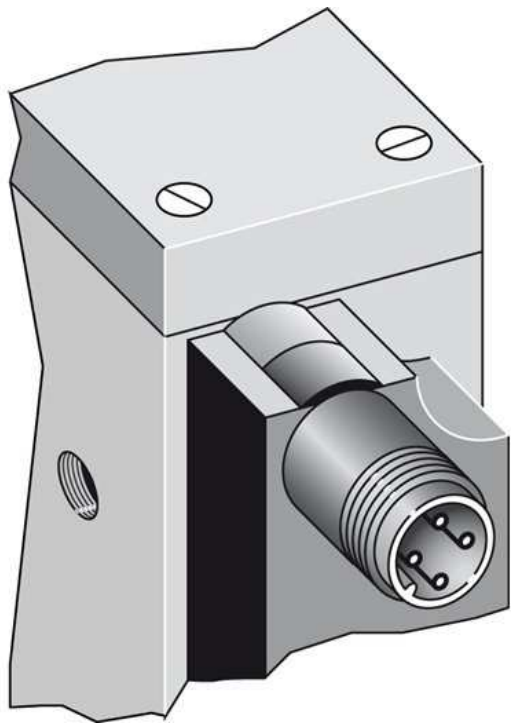
Dimensional drawing



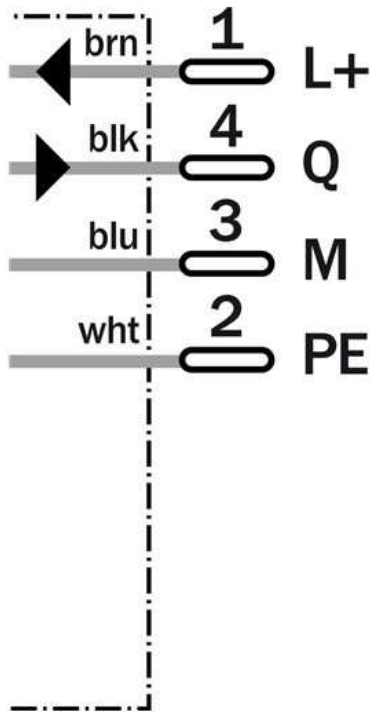
Adjustments



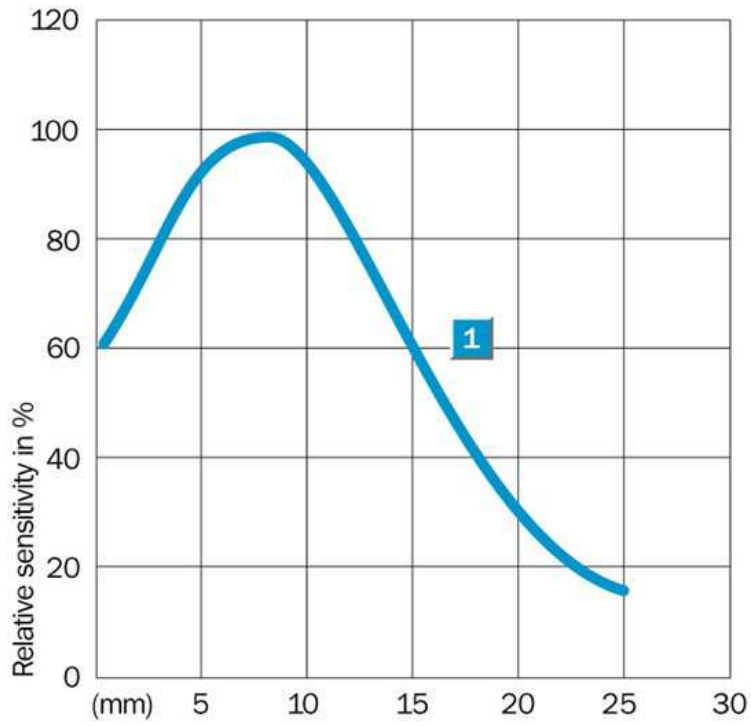
Connection type



Connection diagram



Characteristic curve



Australia

Phone +61 3 9457 0600
1800 33 48 02 – tollfree
E-Mail sales@sick.com.au

Belgium/Luxembourg

Phone +32 (0)2 466 55 66
E-Mail info@sick.be

Brasil

Phone +55 11 3215-4900
E-Mail marketing@sick.com.br

Canada

Phone +1 905 771 14 44
E-Mail information@sick.com

Česká republika

Phone +420 2 57 91 18 50
E-Mail sick@sick.cz

China

Phone +86 4000 121 000
E-Mail info.china@sick.net.cn
Phone +852-2153 6300
E-Mail ghk@sick.com.hk

Danmark

Phone +45 45 82 64 00
E-Mail sick@sick.dk

Deutschland

Phone +49 211 5301-301
E-Mail info@sick.de

España

Phone +34 93 480 31 00
E-Mail info@sick.es

France

Phone +33 1 64 62 35 00
E-Mail info@sick.fr

Great Britain

Phone +44 (0)1727 831121
E-Mail info@sick.co.uk

India

Phone +91-22-4033 8333
E-Mail info@sick-india.com

Israel

Phone +972-4-6881000
E-Mail info@sick-sensors.com

Italia

Phone +39 02 27 43 41
E-Mail info@sick.it

Japan

Phone +81 (0)3 5309 2112
E-Mail support@sick.jp

Magyarország

Phone +36 1 371 2680
E-Mail office@sick.hu

Nederland

Phone +31 (0)30 229 25 44
E-Mail info@sick.nl

Norge

Phone +47 67 81 50 00
E-Mail sick@sick.no

Österreich

Phone +43 (0)22 36 62 28 8-0
E-Mail office@sick.at

Polska

Phone +48 22 837 40 50
E-Mail info@sick.pl

România

Phone +40 356 171 120
E-Mail office@sick.ro

Russia

Phone +7-495-775-05-30
E-Mail info@sick.ru

Schweiz

Phone +41 41 619 29 39
E-Mail contact@sick.ch

Singapore

Phone +65 6744 3732
E-Mail sales.gsg@sick.com

Slovenija

Phone +386 (0)1-47 69 990
E-Mail office@sick.si

South Africa

Phone +27 11 472 3733
E-Mail info@sickautomation.co.za

South Korea

Phone +82 2 786 6321/4
E-Mail info@sickkorea.net

Suomi

Phone +358-9-25 15 800
E-Mail sick@sick.fi

Sverige

Phone +46 10 110 10 00
E-Mail info@sick.se

Taiwan

Phone +886 2 2375-6288
E-Mail sales@sick.com.tw

Türkiye

Phone +90 (216) 528 50 00
E-Mail info@sick.com.tr

United Arab Emirates

Phone +971 (0) 4 88 65 878
E-Mail info@sick.ae

USA/México

Phone +1(952) 941-6780
1 (800) 325-7425 – tollfree
E-Mail info@sickusa.com

More representatives and agencies
at www.sick.com