



Photoelectric sensors
Through-beam photoelectric sensor

WS/WE4-2PT01

Model Name > [WS/WE4-2PT01](#)
Part No. > [1023636](#)



Note: This part is discontinued. Please see the replacement product under "Replacement Products" link.



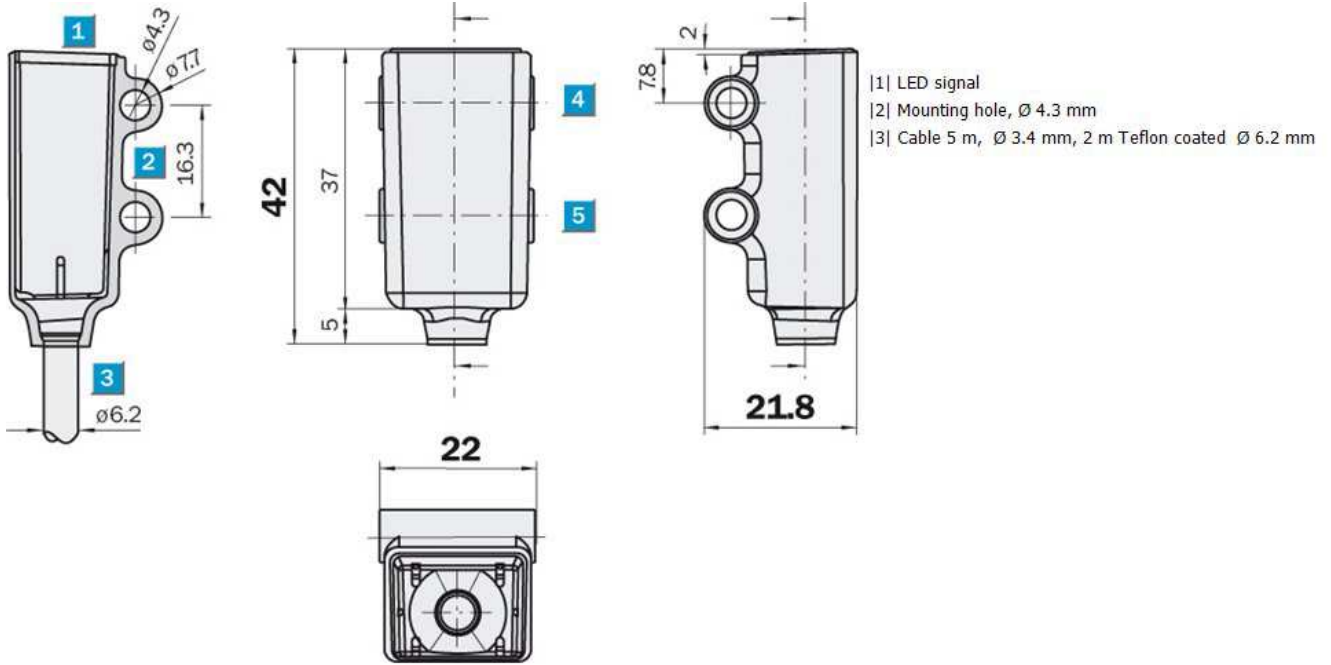
Product features

| | |
|-----------------------------|----------------------------|
| Sensing range min ... max:: | 0 m ... 2.5 m, 0 m ... 3 m |
| Type of light: | Red light |
| Light spot diameter: | approx. 340 mm |
| Laser: | Red light |
| Sensing range max.: | 0 m ... 2.5 m, 0 m ... 3 m |

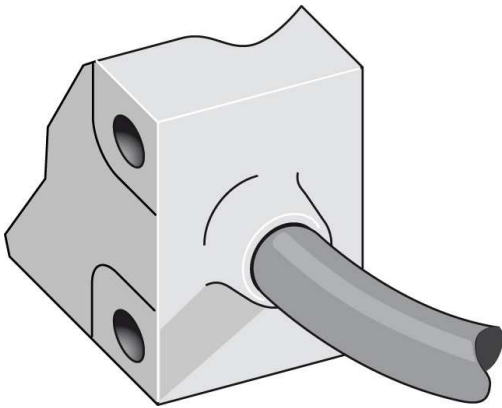
Technical data

| | |
|--|---|
| Design:: | Rectangular |
| Dimensions (W x H x D): | 22 mm x 42 mm x 21.8 mm |
| Supply voltage min ... max:: | DC |
| Ripple: | < 5 Vpp |
| Power consumption: | < 50 mA |
| Output type: | PNP, Q |
| Switching mode: | Light switching |
| Output current max.: | 100 mA |
| Response time:: | > 500 µs |
| Switching frequency: | 1,000 Hz |
| Connection type: | Cable, 2 m |
| Number of cores: | 3 |
| Conductor size: | 0.25 mm ² |
| Circuit protection: | V _s connections reverse-polarity protected/Output Q short-circuit protected/Interference suppression |
| Enclosure rating:: | IP 68 |
| Ambient operation temperature, min ... max:: | -40 °C ... +60 °C |
| Ambient storage temperature, min ... max: | -40 °C ... +75 °C |
| Housing material: | DuPont, PFA 940 HP plus |
| Cable material:: | DuPont, PFA 440 HP |
| Power consumption, sender: | 20 |
| Power consumption, receiver: | < 30 mA |
| Test input sender off: | TE to 0 V |

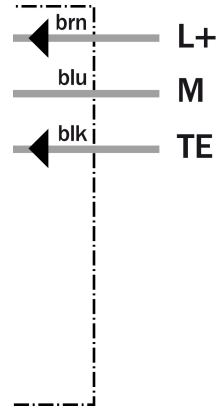
Dimensional drawing



Connection type



Connection diagram



Australia

Phone +61 3 9457 0600
1800 33 48 02 – tollfree
E-Mail sales@sick.com.au

Belgium/Luxembourg

Phone +32 (0)2 466 55 66
E-Mail info@sick.be

Brasil

Phone +55 11 3215-4900
E-Mail marketing@sick.com.br

Canada

Phone +1 905 771 14 44
E-Mail information@sick.com

Česká republika

Phone +420 2 57 91 18 50
E-Mail sick@sick.cz

China

Phone +86 4000 121 000
E-Mail info.china@sick.net.cn
Phone +852-2153 6300
E-Mail ghk@sick.com.hk

Danmark

Phone +45 45 82 64 00
E-Mail sick@sick.dk

Deutschland

Phone +49 211 5301-301
E-Mail info@sick.de

España

Phone +34 93 480 31 00
E-Mail info@sick.es

France

Phone +33 1 64 62 35 00
E-Mail info@sick.fr

Great Britain

Phone +44 (0)1727 831121
E-Mail info@sick.co.uk

India

Phone +91-22-4033 8333
E-Mail info@sick-india.com

Israel

Phone +972-4-6881000
E-Mail info@sick-sensors.com

Italia

Phone +39 02 27 43 41
E-Mail info@sick.it

Japan

Phone +81 (0)3 5309 2112
E-Mail support@sick.jp

Magyarország

Phone +36 1 371 2680
E-Mail office@sick.hu

Nederland

Phone +31 (0)30 229 25 44
E-Mail info@sick.nl

Norge

Phone +47 67 81 50 00
E-Mail sick@sick.no

Österreich

Phone +43 (0)22 36 62 28 8-0
E-Mail office@sick.at

Polska

Phone +48 22 837 40 50
E-Mail info@sick.pl

România

Phone +40 356 171 120
E-Mail office@sick.ro

Russia

Phone +7-495-775-05-30
E-Mail info@sick.ru

Schweiz

Phone +41 41 619 29 39
E-Mail contact@sick.ch

Singapore

Phone +65 6744 3732
E-Mail sales.gsg@sick.com

Slovenija

Phone +386 (0)1-47 69 990
E-Mail office@sick.si

South Africa

Phone +27 11 472 3733
E-Mail info@sickautomation.co.za

South Korea

Phone +82 2 786 6321/4
E-Mail info@sickkorea.net

Suomi

Phone +358-9-25 15 800
E-Mail sick@sick.fi

Sverige

Phone +46 10 110 10 00
E-Mail info@sick.se

Taiwan

Phone +886 2 2375-6288
E-Mail sales@sick.com.tw

Türkiye

Phone +90 (216) 528 50 00
E-Mail info@sick.com.tr

United Arab Emirates

Phone +971 (0) 4 88 65 878
E-Mail info@sick.ae

USA/México

Phone +1(952) 941-6780
1 (800) 325-7425 – tollfree
E-Mail info@sickusa.com

More representatives and agencies
at www.sick.com