



Photoelectric sensors
Photoelectric retro-reflective sensor, Product
group W11

WL11-R130



Model Name > [WL11-R130](#)
Part No. > [1026232](#)



- Red light
- Polarisation filter allowing detection of objects with reflective surfaces
- CE-emitted interference EN 61000-6-3 ("Residential and Industrial Areas")
- ECOLAB material resistance tests



Product features

Sensing range min ... max::	0.1 m ... 5 m, 0.1 m ... 7 m
Light source::	LED
Type of light:	Red light
Light spot diameter:	Approx. 80 mm at 3 m distance
Laser:	Red light
Sensing range max.:	0.1 m ... 5 m, 0.1 m ... 7 m
Relating to:	Reflector PL80A

Technical data

Design::	Rectangular
Dimensions (W x H x D):	15.2 mm x 51 mm x 47 mm
Supply voltage min ... max.:	AC/DC 24 ... 240 V / 24 ... 240 V ¹⁾
Output type:	Relay 1 x c/o, electrically isolated
Switching mode:	Dark-switching
Response time::	≤ 25 ms
Switching frequency:	20 Hz
Connection type:	Cable, 2 m
Number of cores:	5
Conductor size:	0.25 mm ²
Circuit protection:	V _S connections reverse-polarity protected / Interference suppression
Enclosure rating::	IP 65
Ambient operation temperature, min ... max.:	-25 °C ... +55 °C
Ambient storage temperature, min ... max.:	-40 °C ... +70 °C
Weight:	Ca. 200 g
Housing material:	ABS
Angle of dispersion:	2 °
Series:	W11
Optics material:	PMMA
Cable diameter:	Ø 5 mm
Power consumption:	≤ 2.5 VA (AC), ≤ 2.5 W (DC)
Max. switching voltage:	AC 250 V / DC 120 V

Switching current max.:

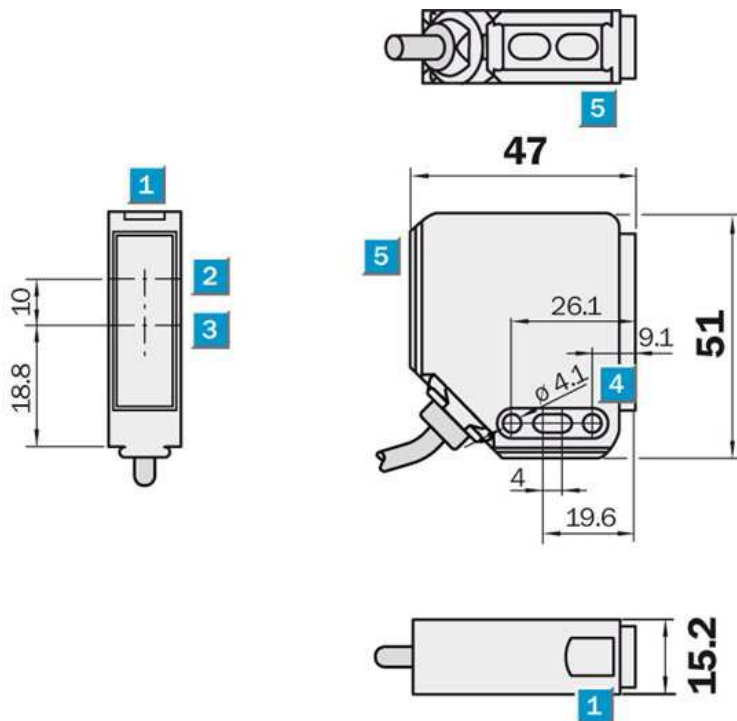
3 A/AC 250 V ;3A/DC 30 V

Max. switching power:

AC 750 VA/DC 30 V

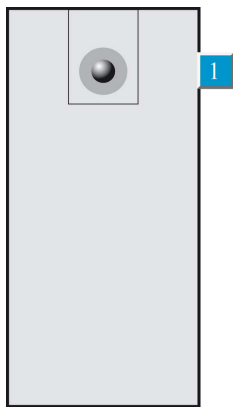
1) Tolerance: +10 %, -20 %

Masszeichnung

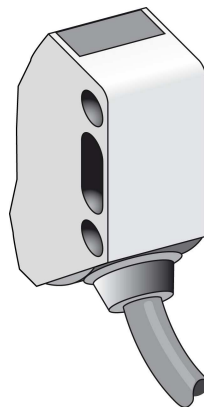


- |1| LED signal strength indicator
- |2| Center of optical axis, sender
- |3| Center of optical axis, receiver
- |4| Mounting hole, $\varnothing 4.1$ mm
- |5| Dovetail

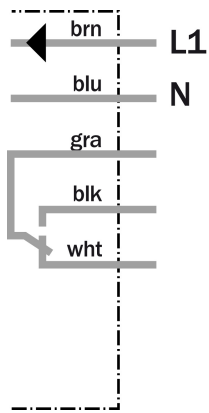
Einstell-Möglichkeiten



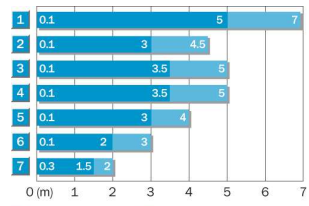
Anschlussart



Anschluss-Schema



Schaltabstand-Diagramm



■ Operating range ■ Scanning range, max. typical

Reflector type	Operating range
1 PL 80 A	0.1 – 5.0 m
2 C 110	0.1 – 3.0 m
3 PL 50 A	0.1 – 3.5 m
4 PL 40 A	0.1 – 3.5 m
5 PL 30 A	0.1 – 3.0 m
6 PL 20 A	0.1 – 2.0 m
7 Reflective tape	0.3 – 1.5 m

Australia

Phone +61 3 9457 0600
1800 33 48 02 – tollfree
E-Mail sales@sick.com.au

Belgium/Luxembourg

Phone +32 (0)2 466 55 66
E-Mail info@sick.be

Brasil

Phone +55 11 3215-4900
E-Mail marketing@sick.com.br

Canada

Phone +1 905 771 14 44
E-Mail information@sick.com

Česká republika

Phone +420 2 57 91 18 50
E-Mail sick@sick.cz

China

Phone +86 4000 121 000
E-Mail info.china@sick.net.cn
Phone +852-2153 6300
E-Mail ghk@sick.com.hk

Danmark

Phone +45 45 82 64 00
E-Mail sick@sick.dk

Deutschland

Phone +49 211 5301-301
E-Mail info@sick.de

España

Phone +34 93 480 31 00
E-Mail info@sick.es

France

Phone +33 1 64 62 35 00
E-Mail info@sick.fr

Great Britain

Phone +44 (0)1727 831121
E-Mail info@sick.co.uk

India

Phone +91-22-4033 8333
E-Mail info@sick-india.com

Israel

Phone +972-4-6881000
E-Mail info@sick-sensors.com

Italia

Phone +39 02 27 43 41
E-Mail info@sick.it

Japan

Phone +81 (0)3 5309 2112
E-Mail support@sick.jp

Magyarország

Phone +36 1 371 2680
E-Mail office@sick.hu

Nederland

Phone +31 (0)30 229 25 44
E-Mail info@sick.nl

Norge

Phone +47 67 81 50 00
E-Mail sick@sick.no

Österreich

Phone +43 (0)22 36 62 28 8-0
E-Mail office@sick.at

Polska

Phone +48 22 837 40 50
E-Mail info@sick.pl

România

Phone +40 356 171 120
E-Mail office@sick.ro

Russia

Phone +7-495-775-05-30
E-Mail info@sick.ru

Schweiz

Phone +41 41 619 29 39
E-Mail contact@sick.ch

Singapore

Phone +65 6744 3732
E-Mail sales.gsg@sick.com

Slovenija

Phone +386 (0)1-47 69 990
E-Mail office@sick.si

South Africa

Phone +27 11 472 3733
E-Mail info@sickautomation.co.za

South Korea

Phone +82 2 786 6321/4
E-Mail info@sickkorea.net

Suomi

Phone +358-9-25 15 800
E-Mail sick@sick.fi

Sverige

Phone +46 10 110 10 00
E-Mail info@sick.se

Taiwan

Phone +886 2 2375-6288
E-Mail sales@sick.com.tw

Türkiye

Phone +90 (216) 528 50 00
E-Mail info@sick.com.tr

United Arab Emirates

Phone +971 (0) 4 88 65 878
E-Mail info@sick.ae

USA/México

Phone +1(952) 941-6780
1 (800) 325-7425 – tollfree
E-Mail info@sickusa.com

More representatives and agencies
at www.sick.com