



2D vision  
CVS, CVS2, CVS2

CVS2-N142



**Model Name** > CVS2-N142  
**Part No.** > 1027331



**At a glance**

- Color inspection and sorting on large fields of view
- Inspecting one color, minimum and maximum fill
- 2-color matching
- Sorting up to 15 colors
- Reference capacity of 15 color configurations
- Parameter up- and download to PC
- Compact IP-67 rated housing with integrated display for configuration and monitoring
- Different variants for different fields of view and working distances

**Your benefits**

- The support for large fields of view ensures reliable color sorting even if your part varies in position
- The minimum and maximum fill tolerance ensures you that there is always correct fill of color on your part before it leaves your line
- The 2-color matching ensures you reliable result on multi- colored objects
- The reference capacity of 15 color configurations gives you the most economic solution for batch production
- Store and restore the configuration from PC will save you time in every repetitive machine installation



**Features**

Task:	Inspection
Technology:	2D Image analysis Snapshot Color
Toolset:	2-color match Color inspection Color sort
Focus:	Fixed focus
Sensor:	CMOS matrix sensor, color values
Sensing distance:	50 mm ... 100 mm
Spectral range:	Ca. 400 nm ... 750 nm
LED class:	Risk group 1 (low risk, IEC62471 : 2006)
Offline support:	Configuration
Sensor resolution:	208 px x 236 px x 3 px (RGB)

Internal lighting: White

---

### Performance

Maximum performance: 200 fps  
Typical performance: 38 fps  
Number of inspections: 1

---

### Interfaces

Operator interfaces: External display or integrated display  
Digital inputs: HIGH (corresp. 8 V)  
Configurable inputs: Reference object selection  
External trigger  
Digital outputs: NPN  
Configurable outputs: Sorting, Auxiliary  
Output current: < 100 mA  
Default outputs: Inspection passed  
Serial (RS-232): 1  
Ethernet: -  
Control elements: 5 buttons (setup)  
Configuration software: CVS device software, CVS2 Dataloader (PC)

---

### Mechanics/electronics

Connectors: HRS, 6-pin (external lighting/monitor)  
Cable, 8-wire, 2 m (I/O, power)  
Power consumption: < 220 mA Without output load (at 24 V)  
Ripple: < 5 Vpp  
Enclosure rating: IP 67  
Housing material: ABS, Acryl glass, Polycarbonate  
Dimensions (L x W x H): 95 mm x 42 mm x 34 mm  
Optics: Integrated  
Weight: 180 g

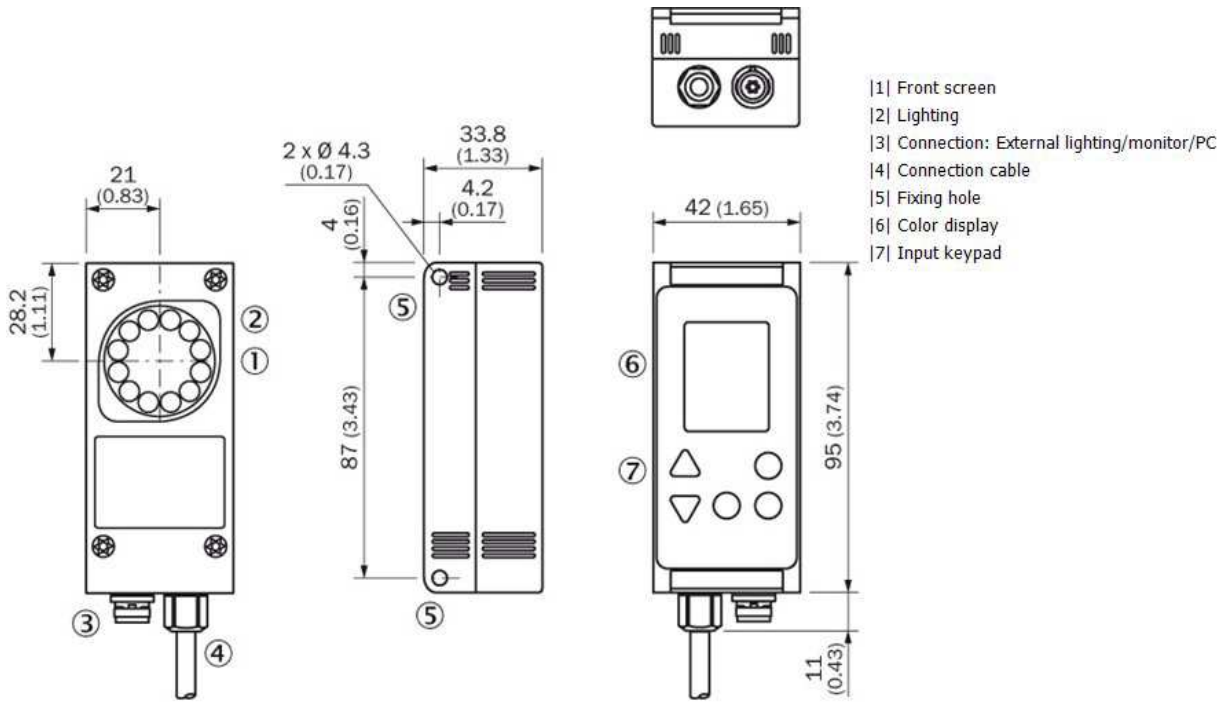
---

### Ambient data

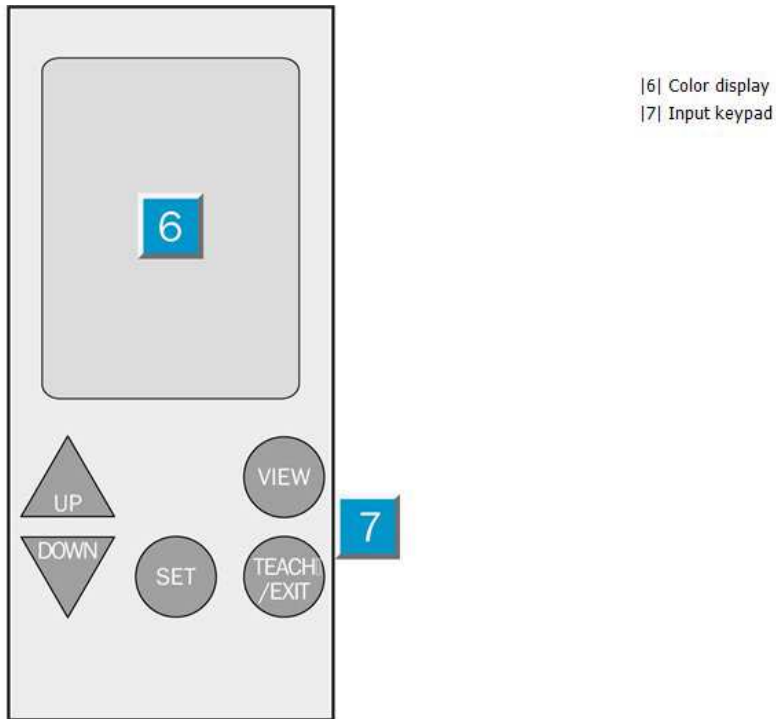
Ambient operating temperature<sup>1)</sup>: 0 °C ... +40 °C  
Ambient storage temperature<sup>2)</sup>: -20 °C ... +70 °C

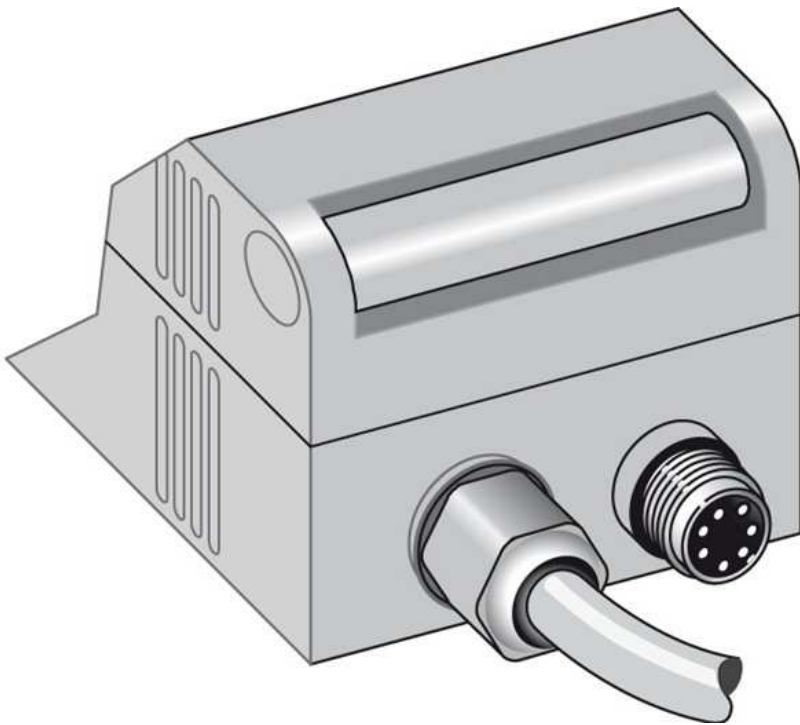
<sup>1) 2)</sup> Relative humidity: 35 % ... 85 %, 95 % at storage

**Dimensional drawing**



**Adjustment possible**





**Australia**

Phone +61 3 9457 0600  
1800 33 48 02 – tollfree  
E-Mail sales@sick.com.au

**Belgium/Luxembourg**

Phone +32 (0)2 466 55 66  
E-Mail info@sick.be

**Brasil**

Phone +55 11 3215-4900  
E-Mail marketing@sick.com.br

**Canada**

Phone +1 905 771 14 44  
E-Mail information@sick.com

**Česká republika**

Phone +420 2 57 91 18 50  
E-Mail sick@sick.cz

**China**

Phone +86 4000 121 000  
E-Mail info.china@sick.net.cn  
Phone +852-2153 6300  
E-Mail ghk@sick.com.hk

**Danmark**

Phone +45 45 82 64 00  
E-Mail sick@sick.dk

**Deutschland**

Phone +49 211 5301-301  
E-Mail info@sick.de

**España**

Phone +34 93 480 31 00  
E-Mail info@sick.es

**France**

Phone +33 1 64 62 35 00  
E-Mail info@sick.fr

**Great Britain**

Phone +44 (0)1727 831121  
E-Mail info@sick.co.uk

**India**

Phone +91-22-4033 8333  
E-Mail info@sick-india.com

**Israel**

Phone +972-4-6881000  
E-Mail info@sick-sensors.com

**Italia**

Phone +39 02 27 43 41  
E-Mail info@sick.it

**Japan**

Phone +81 (0)3 5309 2112  
E-Mail support@sick.jp

**Magyarország**

Phone +36 1 371 2680  
E-Mail office@sick.hu

**Nederland**

Phone +31 (0)30 229 25 44  
E-Mail info@sick.nl

**Norge**

Phone +47 67 81 50 00  
E-Mail sick@sick.no

**Österreich**

Phone +43 (0)22 36 62 28 8-0  
E-Mail office@sick.at

**Polska**

Phone +48 22 837 40 50  
E-Mail info@sick.pl

**România**

Phone +40 356 171 120  
E-Mail office@sick.ro

**Russia**

Phone +7-495-775-05-30  
E-Mail info@sick.ru

**Schweiz**

Phone +41 41 619 29 39  
E-Mail contact@sick.ch

**Singapore**

Phone +65 6744 3732  
E-Mail sales.gsg@sick.com

**Slovenija**

Phone +386 (0)1-47 69 990  
E-Mail office@sick.si

**South Africa**

Phone +27 11 472 3733  
E-Mail info@sickautomation.co.za

**South Korea**

Phone +82 2 786 6321/4  
E-Mail info@sickkorea.net

**Suomi**

Phone +358-9-25 15 800  
E-Mail sick@sick.fi

**Sverige**

Phone +46 10 110 10 00  
E-Mail info@sick.se

**Taiwan**

Phone +886 2 2375-6288  
E-Mail sales@sick.com.tw

**Türkiye**

Phone +90 (216) 528 50 00  
E-Mail info@sick.com.tr

**United Arab Emirates**

Phone +971 (0) 4 88 65 878  
E-Mail info@sick.ae

**USA/México**

Phone +1(952) 941-6780  
1 (800) 325-7425 – tollfree  
E-Mail info@sickusa.com

More representatives and agencies  
at [www.sick.com](http://www.sick.com)