



2D vision
CVS, CVS1 Easy, CVS1 Easy

CVS1-P122Easy



Model Name > CVS1-P122Easy
Part No. > 1028669



At a glance

- Color inspection on large fields of view
- Inspecting one color, minimum fill
- Plug & play teach wizard
- Reference capacity of eight colors
- Compact IP-67 rated housing with integrated display for configuration and monitoring
- Different variants for different fields of view and working distances

Your benefits

- The support for large fields of view ensures reliable color inspection even if your part varies in position
- The minimum fill tolerance ensures you that enough color fill is applied
- The integrated display provides an easy way to check that correct reference is selected for present line task
- The reference capacity of eight colors saves you component complexity and cost in multi-color batch lines
- The plug & play teach wizard makes it possible for any of your staff to create a successful teach-in



Features

Task:	Inspection
Technology:	2D Image analysis Snapshot Color
Toolset:	Color inspection
Sensing distance:	90 mm ... 150 mm
Spectral range:	Ca. 400 nm ... 750 nm
LED class:	Risk group 1 (low risk, IEC62471 : 2006)
Sensor resolution:	200 x 240 x 3 (RGB) pixels
Internal lighting:	White

Performance

Maximum performance:	1,667 fps
Typical performance:	91 fps
Number of inspections:	1

Interfaces

Operator interfaces:	External display or integrated display
Digital inputs:	HIGH (corresp. 8 V)
Configurable inputs:	Reference object selection External trigger
Digital outputs:	PNP
Output current:	< 100 mA
Default outputs:	Inspection passed
Configuration software:	CVS device software

Mechanics/electronics

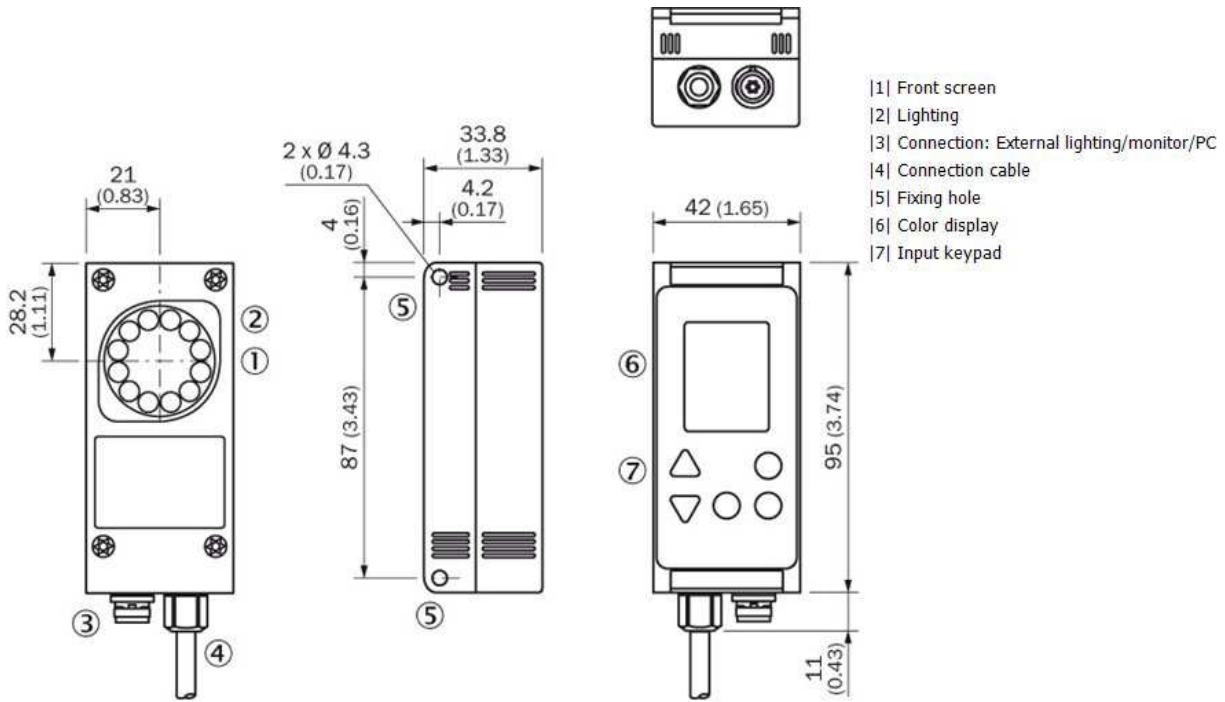
Connectors:	HRS, 6-pin (external lighting/monitor) I/O + Vs: cable, 7-wire, 2 m
Power consumption:	< 220 mA Without output load (at 24 V)
Ripple:	< 5 Vpp
Enclosure rating:	IP 67
Housing material:	ABS, Acryl glass, Polycarbonate
Dimensions (L x W x H):	95 mm x 42 mm x 34 mm
Weight:	180 g

Ambient data

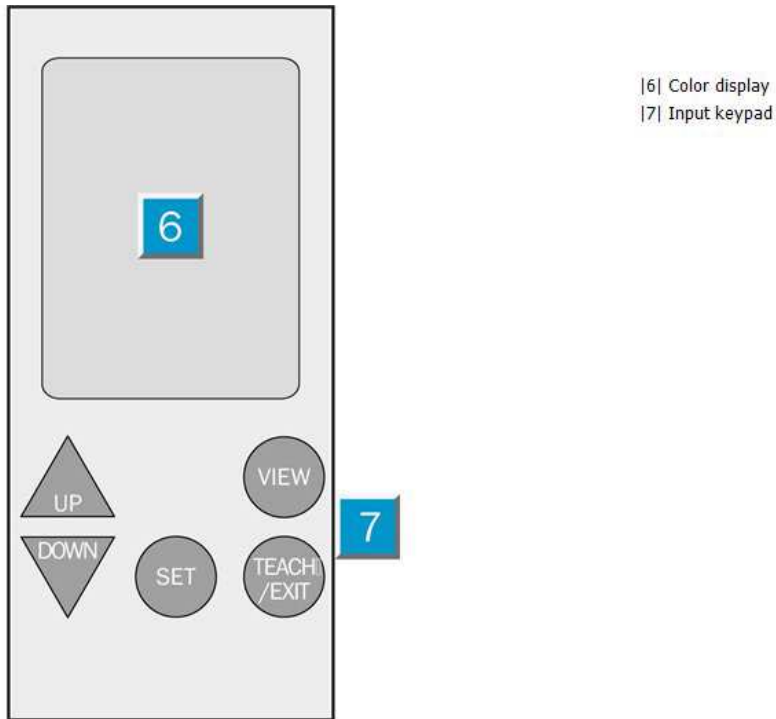
Ambient operating temperature ¹⁾ :	0 °C ... +40 °C
Ambient storage temperature ²⁾ :	-20 °C ... +70 °C

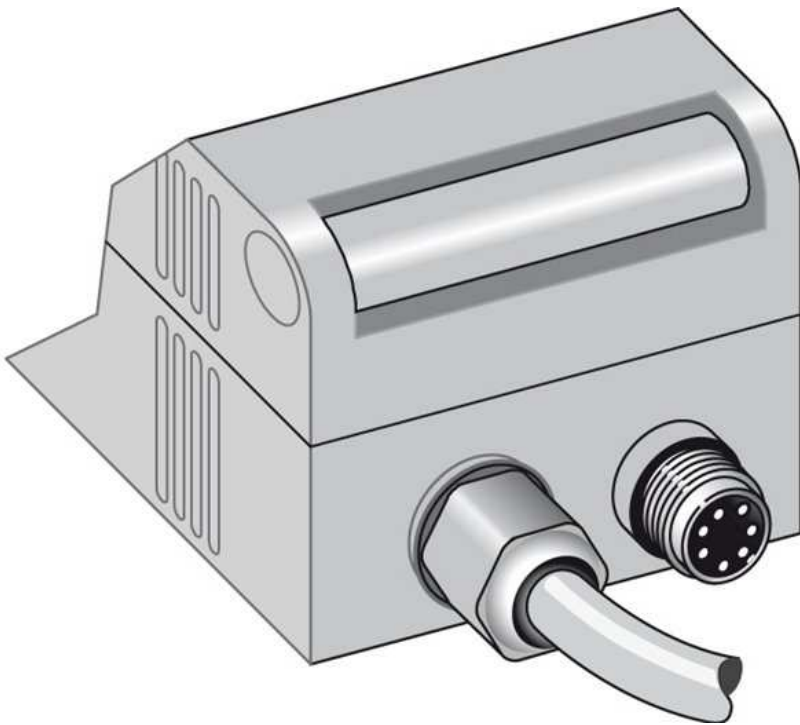
1) 2) Relative humidity: 35 % ... 85 %, 95 % at storage

Dimensional drawing



Adjustment possible





Australia

Phone +61 3 9457 0600
1800 33 48 02 – tollfree
E-Mail sales@sick.com.au

Belgium/Luxembourg

Phone +32 (0)2 466 55 66
E-Mail info@sick.be

Brasil

Phone +55 11 3215-4900
E-Mail marketing@sick.com.br

Canada

Phone +1 905 771 14 44
E-Mail information@sick.com

Česká republika

Phone +420 2 57 91 18 50
E-Mail sick@sick.cz

China

Phone +86 4000 121 000
E-Mail info.china@sick.net.cn
Phone +852-2153 6300
E-Mail ghk@sick.com.hk

Danmark

Phone +45 45 82 64 00
E-Mail sick@sick.dk

Deutschland

Phone +49 211 5301-301
E-Mail info@sick.de

España

Phone +34 93 480 31 00
E-Mail info@sick.es

France

Phone +33 1 64 62 35 00
E-Mail info@sick.fr

Great Britain

Phone +44 (0)1727 831121
E-Mail info@sick.co.uk

India

Phone +91-22-4033 8333
E-Mail info@sick-india.com

Israel

Phone +972-4-6881000
E-Mail info@sick-sensors.com

Italia

Phone +39 02 27 43 41
E-Mail info@sick.it

Japan

Phone +81 (0)3 5309 2112
E-Mail support@sick.jp

Magyarország

Phone +36 1 371 2680
E-Mail office@sick.hu

Nederland

Phone +31 (0)30 229 25 44
E-Mail info@sick.nl

Norge

Phone +47 67 81 50 00
E-Mail sick@sick.no

Österreich

Phone +43 (0)22 36 62 28 8-0
E-Mail office@sick.at

Polska

Phone +48 22 837 40 50
E-Mail info@sick.pl

România

Phone +40 356 171 120
E-Mail office@sick.ro

Russia

Phone +7-495-775-05-30
E-Mail info@sick.ru

Schweiz

Phone +41 41 619 29 39
E-Mail contact@sick.ch

Singapore

Phone +65 6744 3732
E-Mail sales.gsg@sick.com

Slovenija

Phone +386 (0)1-47 69 990
E-Mail office@sick.si

South Africa

Phone +27 11 472 3733
E-Mail info@sickautomation.co.za

South Korea

Phone +82 2 786 6321/4
E-Mail info@sickkorea.net

Suomi

Phone +358-9-25 15 800
E-Mail sick@sick.fi

Sverige

Phone +46 10 110 10 00
E-Mail info@sick.se

Taiwan

Phone +886 2 2375-6288
E-Mail sales@sick.com.tw

Türkiye

Phone +90 (216) 528 50 00
E-Mail info@sick.com.tr

United Arab Emirates

Phone +971 (0) 4 88 65 878
E-Mail info@sick.ae

USA/México

Phone +1(952) 941-6780
1 (800) 325-7425 – tollfree
E-Mail info@sickusa.com

More representatives and agencies
at www.sick.com