



Linear encoders TTK70

TTK70-AXA0-K02



Model Name > [TTK70-AXA0-K02](#)
Part No. > [1038033](#)



Illustration may differ

At a glance

- Non-contact determination of absolute position
- Small, compact read head
- Standard SSI interface, combined with SinCos output
- Measuring lengths of up to 4 m
- High level of accuracy ($\pm 10 \mu\text{m}$)
- High resolution ($1 \mu\text{m}$)
- High travel speed of up to 10 m/s

Your benefits

- Easy to integrate into existing systems
- Small size, light weight and high measurement speed make it ideal for a variety of applications
- After installation, the system is immediately available and completely maintenance-free, which leads to time and cost savings
- Immune to environmental factors like contamination and condensation, ensuring increased reliability
- Real-time speed determination plus absolute positioning due to SinCos and SSI output



Performance

Measuring length:	$\leq 4,000 \text{ mm}$
Magnetic strip length:	Measurement length + 80 mm
Resolution:	$1 \mu\text{m}$
Travelling speed dynamic operation:	$< 10 \text{ m/s}$
Travelling speed static operation:	$< 1 \text{ m/s}$
System accuracy:	$\pm 10 \mu\text{m}$
Repeatability (Ta not constant):	$\leq \pm 2 \mu\text{m}$

Mechanical data

Connection type:	Connector M12, 12-pin
Mass:	0.08 kg
Material:	Die-cast zinc
Dimensions:	See dimensional drawing

Electrical data

Supply voltage:	4.5 V ... 30 V
Operating power consumption (no load):	55 mA

Code type: Gray
MTTFd: mean time to dangerous failure: 65 a (EN ISO 13849) ¹⁾

¹⁾ This product is a standard product and does not constitute a safety component as defined in the Machinery Directive.

Calculation based on nominal load of components, average ambient

temperature 40°C, frequency of use 8760 h/a. All

electronic failures are considered hazardous. For more information, see document no. 8015532.

Interfaces

Electrical interface: SSI
Interface signals: 24 Bit ¹⁾
Sin/cos-output: Speed-proportional signal output for real-time requirements.

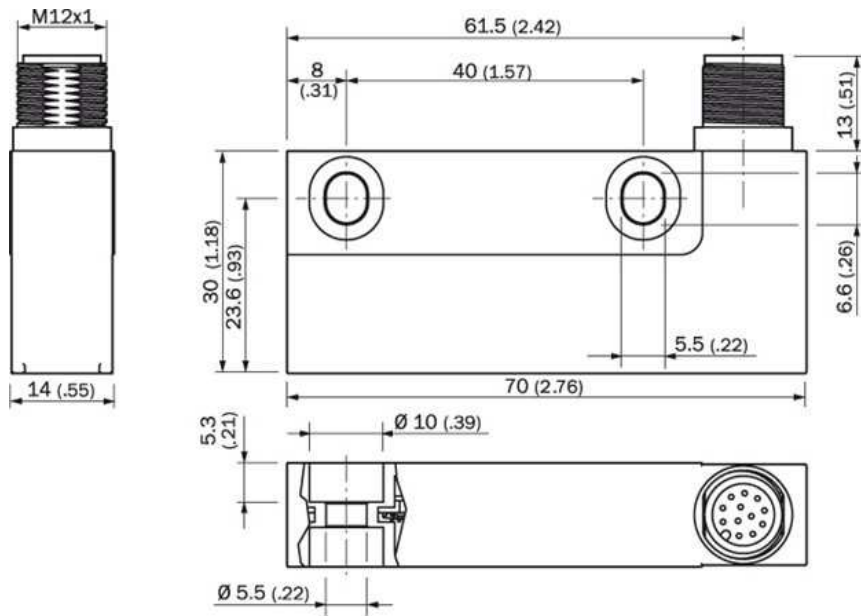
¹⁾ If the maximum distance between the TTK70 SSI and the magnetic tape is exceeded, bit 25 is set in the SSI data stream. The output position value is invalid! When exceeding or going below the temperature range of the sensor (< -30 °C or > +85 °C), bit 26 is set in the SSI data stream. The bits are reset as soon as the error condition no longer exists. To be able to use these additional bits, the control(ler) must be able to read in at least 26 bits of data.

Ambient data

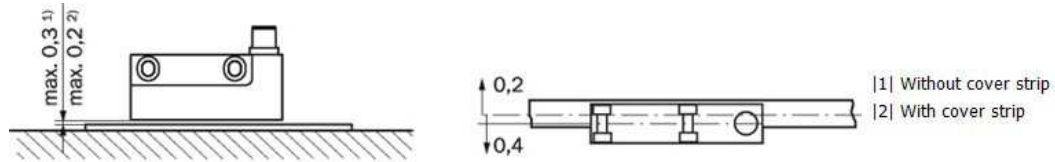
EMC: (EN 61000-6-2)
(EN 61000-6-3)
Enclosure rating: IP 67 (IEC 60529), with mating connector inserted
Working temperature range: -30 °C ... +80 °C
Storage temperature range: -40 °C ... +85 °C, without package
Permissible relative humidity: 100 % (condensation permitted)
Resistance to shocks: 30 g, 6 ms (EN 60068-2-27)
Resistance to vibration: 20 g, 10 Hz ... 2,000 Hz (EN 60068-2-6)
Maximum permitted ambient field strength: < 3 kA/m ... 4 kA/m (3.8 mT ... 5 mT) (to guarantee compliance with the quoted accuracy values)
Maximum permitted field strength: < 150 kA/m (< 190 mT) (to ensure that the magnetic tape is not permanently damaged)

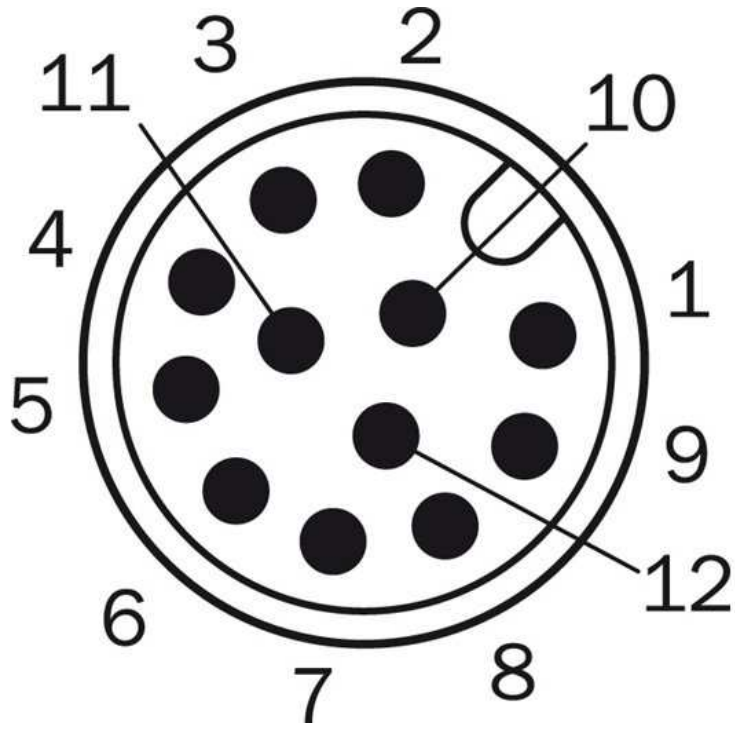
¹⁾ The maximum permitted external field influence is reached when the position value deviates from the original value (without external field influence) by more than 5 µm. This value is reached when, at the sensor location, a field strength of 3 kA/m to 4 kA/m (3.8 mT to 5 mT) occurs in addition to the field strength of the magnetic tape.

Dimensional drawing



Position tolerance





Australia

Phone +61 3 9457 0600
1800 33 48 02 – tollfree
E-Mail sales@sick.com.au

Belgium/Luxembourg

Phone +32 (0)2 466 55 66
E-Mail info@sick.be

Brasil

Phone +55 11 3215-4900
E-Mail marketing@sick.com.br

Canada

Phone +1 905 771 14 44
E-Mail information@sick.com

Česká republika

Phone +420 2 57 91 18 50
E-Mail sick@sick.cz

China

Phone +86 4000 121 000
E-Mail info.china@sick.net.cn
Phone +852-2153 6300
E-Mail ghk@sick.com.hk

Danmark

Phone +45 45 82 64 00
E-Mail sick@sick.dk

Deutschland

Phone +49 211 5301-301
E-Mail info@sick.de

España

Phone +34 93 480 31 00
E-Mail info@sick.es

France

Phone +33 1 64 62 35 00
E-Mail info@sick.fr

Great Britain

Phone +44 (0)1727 831121
E-Mail info@sick.co.uk

India

Phone +91-22-4033 8333
E-Mail info@sick-india.com

Israel

Phone +972-4-6881000
E-Mail info@sick-sensors.com

Italia

Phone +39 02 27 43 41
E-Mail info@sick.it

Japan

Phone +81 (0)3 5309 2112
E-Mail support@sick.jp

Magyarország

Phone +36 1 371 2680
E-Mail office@sick.hu

Nederland

Phone +31 (0)30 229 25 44
E-Mail info@sick.nl

Norge

Phone +47 67 81 50 00
E-Mail sick@sick.no

Österreich

Phone +43 (0)22 36 62 28 8-0
E-Mail office@sick.at

Polska

Phone +48 22 837 40 50
E-Mail info@sick.pl

România

Phone +40 356 171 120
E-Mail office@sick.ro

Russia

Phone +7-495-775-05-30
E-Mail info@sick.ru

Schweiz

Phone +41 41 619 29 39
E-Mail contact@sick.ch

Singapore

Phone +65 6744 3732
E-Mail sales.gsg@sick.com

Slovenija

Phone +386 (0)1-47 69 990
E-Mail office@sick.si

South Africa

Phone +27 11 472 3733
E-Mail info@sickautomation.co.za

South Korea

Phone +82 2 786 6321/4
E-Mail info@sickkorea.net

Suomi

Phone +358-9-25 15 800
E-Mail sick@sick.fi

Sverige

Phone +46 10 110 10 00
E-Mail info@sick.se

Taiwan

Phone +886 2 2375-6288
E-Mail sales@sick.com.tw

Türkiye

Phone +90 (216) 528 50 00
E-Mail info@sick.com.tr

United Arab Emirates

Phone +971 (0) 4 88 65 878
E-Mail info@sick.ae

USA/México

Phone +1(952) 941-6780
1 (800) 325-7425 – tollfree
E-Mail info@sickusa.com

More representatives and agencies
at www.sick.com