



Safety relays Contact expansion module UE10-2FG

UE10-2FG2D0



Model Name > [UE10-2FG2D0](#)
Part No. > [1043915](#)

At a glance

- Ideal for applications with opto-electronic protective devices and safety controllers with OSSD outputs
- Fast response time of 10 ms
- Compact design
- 2 contact outputs
- Feedback signal for external device monitoring (EDM)
- Screw terminals or pluggable terminals

Your benefits

- Faster response times provide short safety distances
- Minimized required space in the control cabinet, solved by the small overall width
- Minimal wiring effort ensures fast and easy commissioning



Applications

Type of switching amplifier:	Contact expansion module
Emergency stop pushbuttons:	-
Safety switches:	-
Safety Switch with mechanical lock:	-
Two-hand control systems:	-
Pressure sensitive mats:	-
Opto-electronic protective devices:	✓
Opto-electronic protective devices without RES/EDM:	-
Opto-electronic protective devices with RES/EDM:	✓
System part:	Safety relays

Functions

Input circuit::	Single- or dual-channel
-----------------	-------------------------

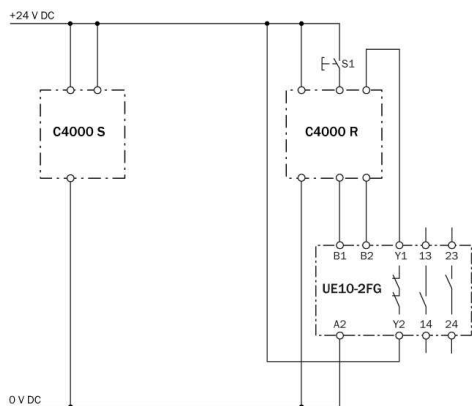
Technical data

Safety integrity level:	SIL3 (IEC 61508), SILCL3 (IEC 62061) ¹⁾
Category:	category 4 (EN ISO 13849) ²⁾
Performance level:	PL e (EN ISO 13849) ³⁾
B10d parameter:	1*1E 05 switching cycles (AC-15, 230 V, I = 2 A) 2.5*1E 05 switching cycles (AC-15, 230 V, I = 1 A) 5.4*1E 05 switching cycles (DC-13, 24 V, I = 0.5 A) 1*1E 07 switching cycles (DC-13, 24 V, I ≤ 2 A)

PFHd:	1.05 * 1E-09
TM (mission time):	20 a
Width:	17.8 mm
Contact type:	Positively driven
Number of enable current contacts:	2
Number of signalling current contacts:	0
Maximum power consumption DC:	3.2 W
Type of output:	Relay contacts
Rated operating current (voltage):	3 A (230 V AC) 4 A (24 V DC)
Maximum switching current:	6 A
Mechanical life (relay contacts):	1*1E 07 switching cycles
Electrical life (relay contacts):	1*10E 05 switching cycles, dependent upon loading, details see operating instructions
Enclosure rating:	IP 20
Ambient operating temperature from ... to:	0 °C ... 55 °C
Connection type:	Screw-type terminals

1) 2) 3) If the feedback current path Y1 - Y2 (external device monitoring) is monitored using an appropriate main unit

Connection diagram



Dimensional drawing



Australia

Phone +61 3 9457 0600
1800 33 48 02 – tollfree
E-Mail sales@sick.com.au

Belgium/Luxembourg

Phone +32 (0)2 466 55 66
E-Mail info@sick.be

Brasil

Phone +55 11 3215-4900
E-Mail marketing@sick.com.br

Canada

Phone +1 905 771 14 44
E-Mail information@sick.com

Česká republika

Phone +420 2 57 91 18 50
E-Mail sick@sick.cz

China

Phone +86 4000 121 000
E-Mail info.china@sick.net.cn
Phone +852-2153 6300
E-Mail ghk@sick.com.hk

Danmark

Phone +45 45 82 64 00
E-Mail sick@sick.dk

Deutschland

Phone +49 211 5301-301
E-Mail info@sick.de

España

Phone +34 93 480 31 00
E-Mail info@sick.es

France

Phone +33 1 64 62 35 00
E-Mail info@sick.fr

Great Britain

Phone +44 (0)1727 831121
E-Mail info@sick.co.uk

India

Phone +91-22-4033 8333
E-Mail info@sick-india.com

Israel

Phone +972-4-6881000
E-Mail info@sick-sensors.com

Italia

Phone +39 02 27 43 41
E-Mail info@sick.it

Japan

Phone +81 (0)3 5309 2112
E-Mail support@sick.jp

Magyarország

Phone +36 1 371 2680
E-Mail office@sick.hu

Nederland

Phone +31 (0)30 229 25 44
E-Mail info@sick.nl

Norge

Phone +47 67 81 50 00
E-Mail sick@sick.no

Österreich

Phone +43 (0)22 36 62 28 8-0
E-Mail office@sick.at

Polska

Phone +48 22 837 40 50
E-Mail info@sick.pl

România

Phone +40 356 171 120
E-Mail office@sick.ro

Russia

Phone +7-495-775-05-30
E-Mail info@sick.ru

Schweiz

Phone +41 41 619 29 39
E-Mail contact@sick.ch

Singapore

Phone +65 6744 3732
E-Mail sales.gsg@sick.com

Slovenija

Phone +386 (0)1-47 69 990
E-Mail office@sick.si

South Africa

Phone +27 11 472 3733
E-Mail info@sickautomation.co.za

South Korea

Phone +82 2 786 6321/4
E-Mail info@sickkorea.net

Suomi

Phone +358-9-25 15 800
E-Mail sick@sick.fi

Sverige

Phone +46 10 110 10 00
E-Mail info@sick.se

Taiwan

Phone +886 2 2375-6288
E-Mail sales@sick.com.tw

Türkiye

Phone +90 (216) 528 50 00
E-Mail info@sick.com.tr

United Arab Emirates

Phone +971 (0) 4 88 65 878
E-Mail info@sick.ae

USA/México

Phone +1(952) 941-6780
1 (800) 325-7425 – tollfree
E-Mail info@sickusa.com

More representatives and agencies
at www.sick.com