



Register sensors RS10

RS10-M111



Model Name > [RS10-M111](#)
Part No. > [1060116](#)



At a glance

- The register is controlled with individual thresholds
- Unique housing: one screw mounting
- Tight dual-sensor mounting ability
- Detects 1-18 marks of different colors
- Easy teach-in via button

Your benefits

- Better performance in low contrast applications or with many color marks (>8)
- Unique housing allows for quick mounting and adjustment
- Dual sensors detect a double columns of marks
- Fast teach procedure for less downtime on the production line



Features

Sensing distance:	13 mm
Sensing distance tolerance:	± 1 mm
Light source ¹⁾ :	LED
Light spot size:	0.8 mm x 3 mm
Dimensions (W x H x D):	15 mm x 62 mm x 60 mm
Housing design (light emission):	Rectangular
Type of light:	Visible white light
Wave length:	450 nm ... 650 nm

¹⁾ Average service life of 100,000 h at T_A = +25 °C

Mechanics/electronics

Power consumption ¹⁾ :	< 100 mA
Response time ²⁾ :	≤ 20 µs
Jitter:	≤ 10 µs
Output type:	PNP/NPN, push-pull
Output current I _{max.} :	< 100 mA
Input, teach-in (ET):	Run: U < 2 V Teach: U = 10 V ... < U _V
Connection type:	Male connector M12, 8-pin
Protection class ³⁾ :	II
Circuit protection:	Outputs overcurrent and short-circuit protected Interference suppression VS connections reverse-polarity protected

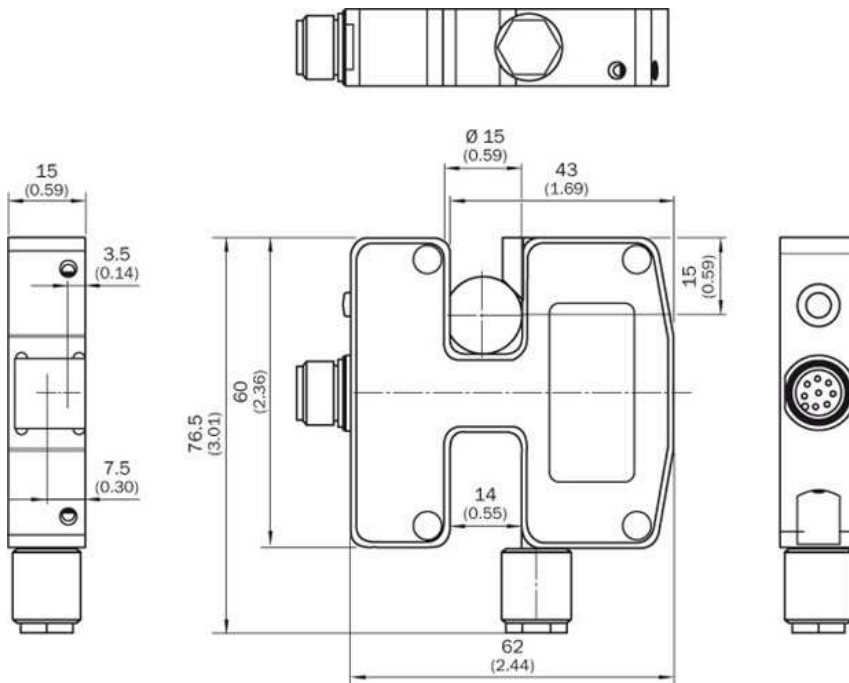
Enclosure rating:	IP 67
Weight:	400 g
Housing material:	Aluminum (anodised), Metal
Ripple:	$\leq 5 \text{ Vpp}$ ⁴⁾
Supply voltage:	10 V DC ... 30 V DC ⁵⁾
Fieldbus interface:	-

1) Without load 2) Signal transit time with resistive load 3) Reference voltage DC 32 V 4) May not exceed or fall short of V_S tolerances 5) Limit values; operation in short-circuit protected network max. 8 A

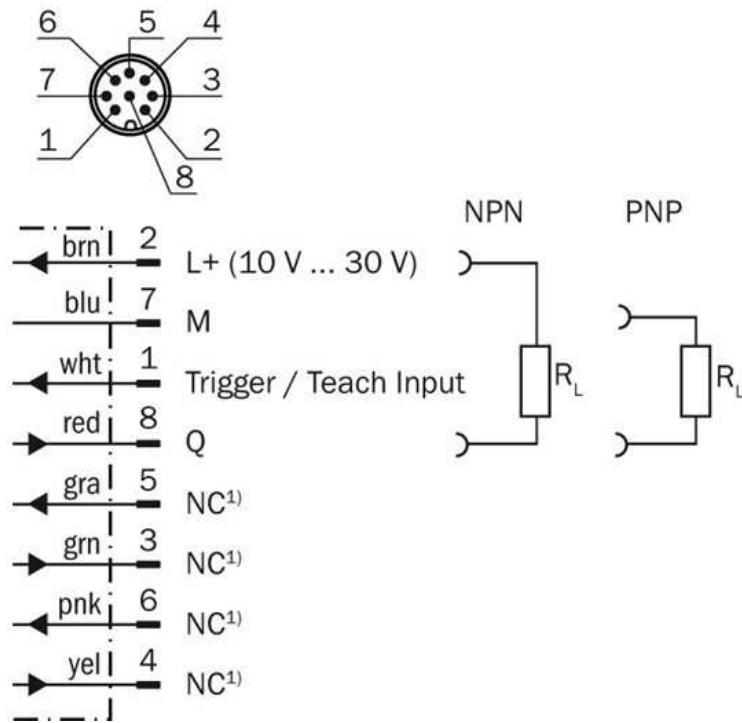
Ambient data

Shock load:	According to IEC 60068
Ambient operating temperature:	-10 °C ... +60 °C
Ambient storage temperature:	-25 °C ... +75 °C

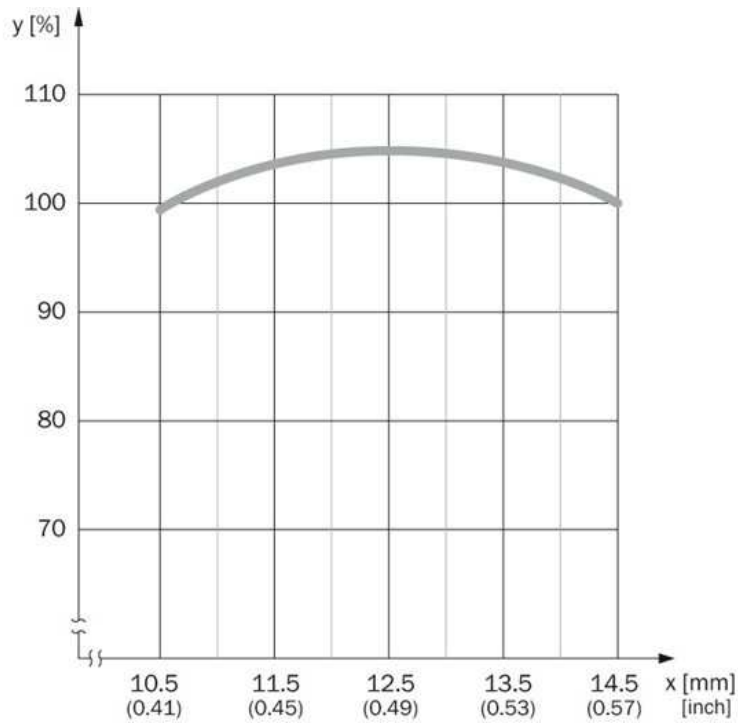
Dimensional drawing



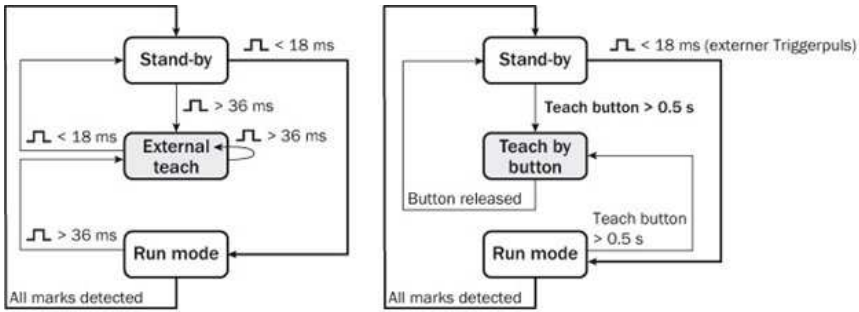
Connection type and diagram



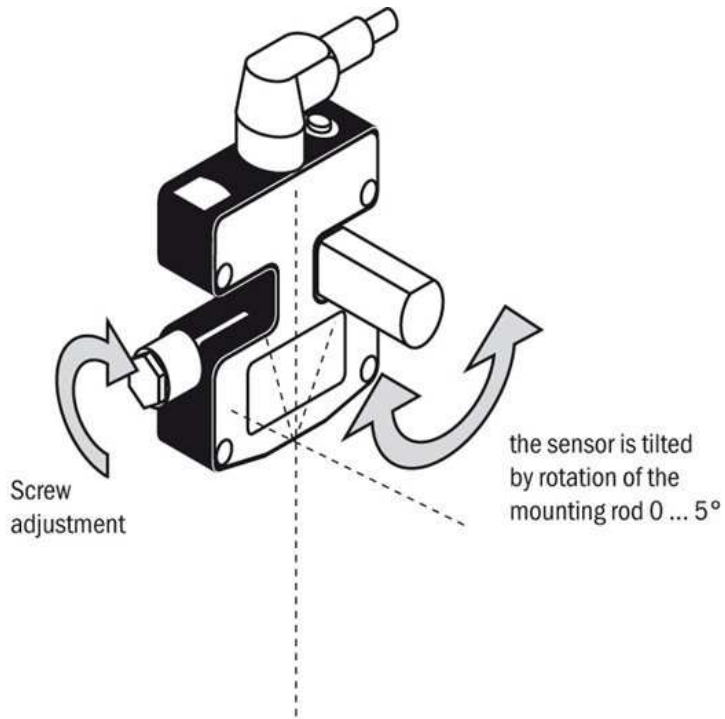
Sensing distance



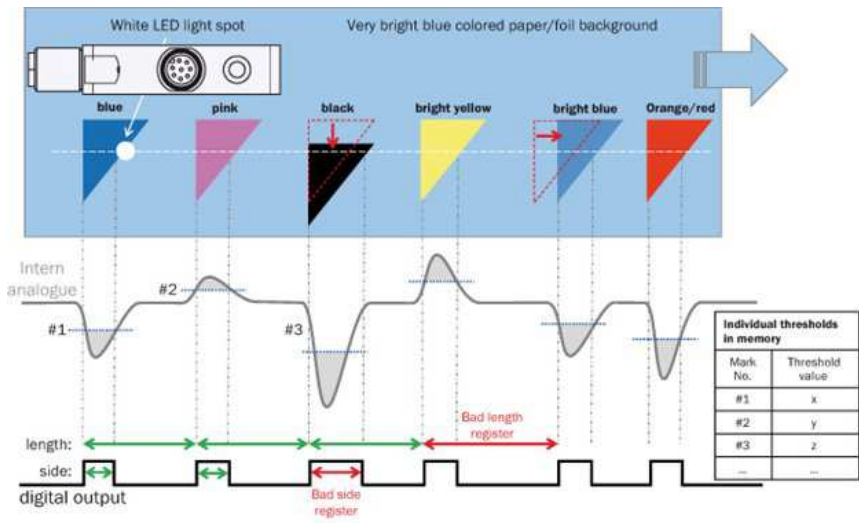
Flow diagram



Instruction for installation



Functional principle



Australia

Phone +61 3 9457 0600
1800 33 48 02 – tollfree
E-Mail sales@sick.com.au

Belgium/Luxembourg

Phone +32 (0)2 466 55 66
E-Mail info@sick.be

Brasil

Phone +55 11 3215-4900
E-Mail marketing@sick.com.br

Canada

Phone +1 905 771 14 44
E-Mail information@sick.com

Česká republika

Phone +420 2 57 91 18 50
E-Mail sick@sick.cz

China

Phone +86 4000 121 000
E-Mail info.china@sick.net.cn
Phone +852-2153 6300
E-Mail ghk@sick.com.hk

Danmark

Phone +45 45 82 64 00
E-Mail sick@sick.dk

Deutschland

Phone +49 211 5301-301
E-Mail info@sick.de

España

Phone +34 93 480 31 00
E-Mail info@sick.es

France

Phone +33 1 64 62 35 00
E-Mail info@sick.fr

Great Britain

Phone +44 (0)1727 831121
E-Mail info@sick.co.uk

India

Phone +91-22-4033 8333
E-Mail info@sick-india.com

Israel

Phone +972-4-6881000
E-Mail info@sick-sensors.com

Italia

Phone +39 02 27 43 41
E-Mail info@sick.it

Japan

Phone +81 (0)3 5309 2112
E-Mail support@sick.jp

Magyarország

Phone +36 1 371 2680
E-Mail office@sick.hu

Nederland

Phone +31 (0)30 229 25 44
E-Mail info@sick.nl

Norge

Phone +47 67 81 50 00
E-Mail sick@sick.no

Österreich

Phone +43 (0)22 36 62 28 8-0
E-Mail office@sick.at

Polska

Phone +48 22 837 40 50
E-Mail info@sick.pl

România

Phone +40 356 171 120
E-Mail office@sick.ro

Russia

Phone +7-495-775-05-30
E-Mail info@sick.ru

Schweiz

Phone +41 41 619 29 39
E-Mail contact@sick.ch

Singapore

Phone +65 6744 3732
E-Mail sales.gsg@sick.com

Slovenija

Phone +386 (0)1-47 69 990
E-Mail office@sick.si

South Africa

Phone +27 11 472 3733
E-Mail info@sickautomation.co.za

South Korea

Phone +82 2 786 6321/4
E-Mail info@sickkorea.net

Suomi

Phone +358-9-25 15 800
E-Mail sick@sick.fi

Sverige

Phone +46 10 110 10 00
E-Mail info@sick.se

Taiwan

Phone +886 2 2375-6288
E-Mail sales@sick.com.tw

Türkiye

Phone +90 (216) 528 50 00
E-Mail info@sick.com.tr

United Arab Emirates

Phone +971 (0) 4 88 65 878
E-Mail info@sick.ae

USA/México

Phone +1(952) 941-6780
1 (800) 325-7425 – tollfree
E-Mail info@sickusa.com

More representatives and agencies
at www.sick.com