



Safety controllers
Flexi Loop safe sensor cascade, Y-adapter

FLA-YCON00002



Model Name > [FLA-YCON00002](#)
Part No. > [2074734](#)



At a glance

- Ability to cascade 32 sensors with up to 30 m per segment in compliance with performance level e
- Compatible with sensors from all manufacturers
- Detailed diagnostic information
- Integrated standard inputs and outputs
- Power supply for sensors is included
- Unscreened standard cable with M12 connectivity
- IP 65 and IP 67 enclosure rating
- Intelligent accessories for field diagnostics and commissioning

Your benefits

- Cascading of safety switches and safety sensors with OSSD outputs minimizes the wiring effort and the number of inputs of the safety controller, which saves costs
- Easy retrofitting of existing machines
- Simple calculation of the performance level saves time since the Flexi Loop node monitors each sensor individually
- User-friendly due to quick and easy configuration
- Ability to be used over long distances increases application flexibility
- Detailed diagnostic information minimizes system downtime
- Seamless system integration and communication with other SICK safety controllers
- Detailed status information on Flexi Loop components, diagnostics accessories, and safety controller enable quick and easy field diagnostics



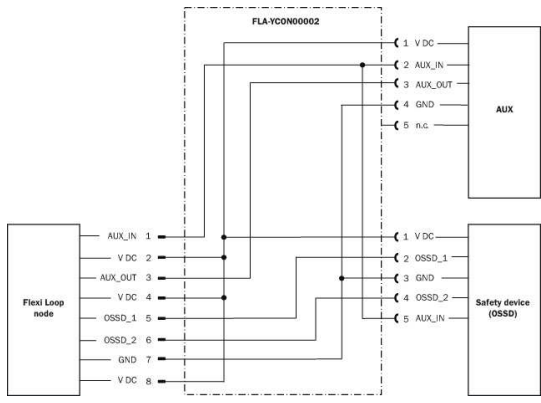
Functions

Usage: The Flexi Loop Y-adapter (OSSD) splits the 8-pin connection of the FLN-OSSD1100108 in two 5-pin connections: One for safety sensors with dual-channel OSSD outputs and one for non-safe I/O signals.

Interfaces

IO-Link: -

Connection diagram



Australia

Phone +61 3 9457 0600
1800 33 48 02 – tollfree
E-Mail sales@sick.com.au

Belgium/Luxembourg

Phone +32 (0)2 466 55 66
E-Mail info@sick.be

Brasil

Phone +55 11 3215-4900
E-Mail marketing@sick.com.br

Canada

Phone +1 905 771 14 44
E-Mail information@sick.com

Česká republika

Phone +420 2 57 91 18 50
E-Mail sick@sick.cz

China

Phone +86 4000 121 000
E-Mail info.china@sick.net.cn
Phone +852-2153 6300
E-Mail ghk@sick.com.hk

Danmark

Phone +45 45 82 64 00
E-Mail sick@sick.dk

Deutschland

Phone +49 211 5301-301
E-Mail info@sick.de

España

Phone +34 93 480 31 00
E-Mail info@sick.es

France

Phone +33 1 64 62 35 00
E-Mail info@sick.fr

Great Britain

Phone +44 (0)1727 831121
E-Mail info@sick.co.uk

India

Phone +91-22-4033 8333
E-Mail info@sick-india.com

Israel

Phone +972-4-6881000
E-Mail info@sick-sensors.com

Italia

Phone +39 02 27 43 41
E-Mail info@sick.it

Japan

Phone +81 (0)3 5309 2112
E-Mail support@sick.jp

Magyarország

Phone +36 1 371 2680
E-Mail office@sick.hu

Nederland

Phone +31 (0)30 229 25 44
E-Mail info@sick.nl

Norge

Phone +47 67 81 50 00
E-Mail sick@sick.no

Österreich

Phone +43 (0)22 36 62 28 8-0
E-Mail office@sick.at

Polska

Phone +48 22 837 40 50
E-Mail info@sick.pl

România

Phone +40 356 171 120
E-Mail office@sick.ro

Russia

Phone +7-495-775-05-30
E-Mail info@sick.ru

Schweiz

Phone +41 41 619 29 39
E-Mail contact@sick.ch

Singapore

Phone +65 6744 3732
E-Mail sales.gsg@sick.com

Slovenija

Phone +386 (0)1-47 69 990
E-Mail office@sick.si

South Africa

Phone +27 11 472 3733
E-Mail info@sickautomation.co.za

South Korea

Phone +82 2 786 6321/4
E-Mail info@sickkorea.net

Suomi

Phone +358-9-25 15 800
E-Mail sick@sick.fi

Sverige

Phone +46 10 110 10 00
E-Mail info@sick.se

Taiwan

Phone +886 2 2375-6288
E-Mail sales@sick.com.tw

Türkiye

Phone +90 (216) 528 50 00
E-Mail info@sick.com.tr

United Arab Emirates

Phone +971 (0) 4 88 65 878
E-Mail info@sick.ae

USA/México

Phone +1(952) 941-6780
1 (800) 325-7425 – tollfree
E-Mail info@sickusa.com

More representatives and agencies
at www.sick.com