



## Short range distance sensors (displacement) OD Precision

AOD5-P1



**Model Name** > [AOD5-P1](#)  
**Part No.** > [6035985](#)

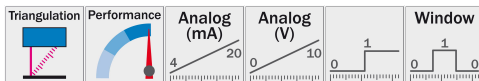


**At a glance**

- Many measurement ranges from 24 mm ... 26 mm up to 300 mm ... 700 mm
- CMOS receiving element for measurement independent of surface
- High measuring accuracy and frequency
- Glass thickness measurement with just one sensor head
- Different light spot sizes
- Integrated calculations for up to three sensors
- Stand alone use via RS-422

**Your benefits**

- Non-contact measurement improves quality inspection during production
- Surface-independent measurement algorithms ensure minimum machine downtime, regardless of surface gloss or color
- Reduced processing times as a result of the high measuring frequency of up to 10 kHz
- Simple, cost-effective solution for challenging measuring tasks due to a variety of sensor models
- Optional stand-alone operation via RS-422 means the OD Precision offers maximum performance at lower investment costs
- High visibility LC display enables simple, cost-effective setup
- Many interfaces for simple integration into an existing production environment



**Features**

System part: Controller unit

**Performance**

Measuring frequency: 10 kHz 1.25 kHz <sup>1)</sup>  
 Light source: Laser, red  
 Additional function: 16 memory banks, Arithmetic calculations, Automatic sensitivity adjustment, Teach-in of analog output, Teach-in of switching output, Set hysteresis, Selectable measuring frequency (automatic/0.1 ms ... 3.2 ms), Frequency filters, Anti interference mode, Glass thickness measurement, Hold functions, Peak measurement, Manual sensitivity adjustment, Averaging settings 1 ... 4,096x, Switching window, Peak to peak measurement, Bottom measurement, Timer functions  
 Note: OD Precision sensor head can be used with AOD5-P/N1 or stand-alone via RS-422  
 Output time: ≤ 0.1 ms

1) Depending on connected sensor head; averaging deactivated; sensitivity set manually

## Interfaces

---

Data interface:	RS-232 USB
Output type <sup>1)</sup> ; <sup>2)</sup> :	5 x PNP (100 mA)
Analog output:	3 x -10 ... +10 V ( $\geq 10 \text{ k}\Omega$ ), 3 x 4 mA ... 20 mA ( $\leq 300 \Omega$ )
Resolution analog output:	16 bit
Error output (max. output current):	3 x alarm <sup>3)</sup>
Reference input:	4 x zero-ref <sup>4)</sup>
Inputs for memory bank selection:	4 x bank <sup>5)</sup>
Laser off input:	3 x laser-off <sup>6)</sup>
Hold input:	4 x hold, 1 x hold-reset <sup>7)</sup>

1) PNP: HIGH =  $V_S - (< 2 \text{ V})$ /LOW =  $< 2 \text{ V}$ ; NPN: HIGH =  $< 2 \text{ V}$ /LOW =  $V_S$  <sup>2) 3) 4) 5) 6) 7)</sup> With use of external 50-pin terminal (accessories)

## Mechanics/electronics

---

Electrical connection:	Terminal board
Supply voltage $V_S$ <sup>1)</sup> :	DC 12 V ... 24 V
Power consumption <sup>2)</sup> :	$\leq 10.8 \text{ W}$
Warm-up time:	$\leq 5 \text{ min}$
Indication:	4" color display
Weight <sup>3)</sup> :	550 g
Housing material:	Polycarbonat and nylon 66

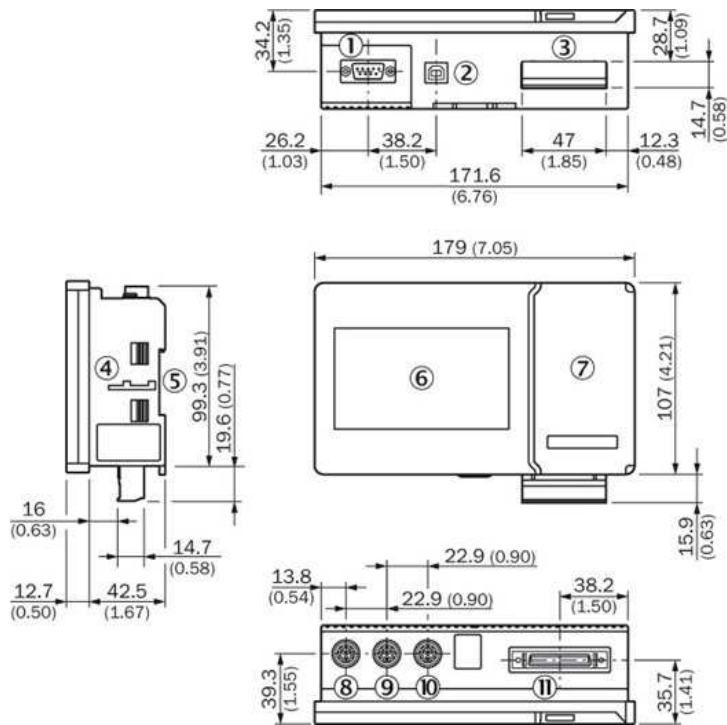
1) DC 12 V (-5 %) ... DC 24 V (+10 %) <sup>2)</sup> When connected with three sensor heads, incl. analog current output <sup>3)</sup> Inclusive terminal board

## Ambient data

---

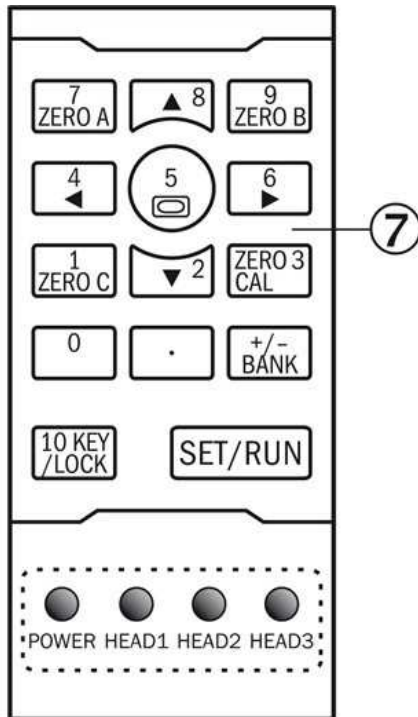
Enclosure rating:	IP 20
Protection class:	III
Ambient temperature:	Operation: -10 ... +45 °C, Storage: -20 ... +60 °C
Vibration resistance:	10 Hz ... 55 Hz (amplitude 1.5 mm, x-, y-, z-axis 2 hours each)
Shock resistance:	20 G (x-, y-, z-axis 3 times each)
Relative humidity (not condensing):	35 % ... 85 %

## Dimensional drawing



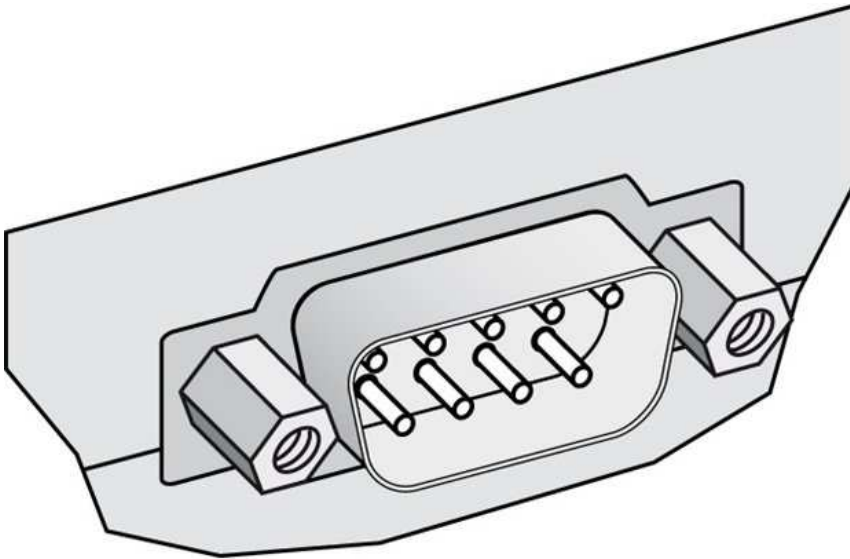
- |1| RS-232C interface
- |2| USB interface
- |3| terminal board (detachable)
- |4| for panel mounting bracket  
(recommended window size 173 mm x 102 mm)
- |5| DIN rail mounting
- |6| LC display
- |7| Control elements
- |8| sensor head A connection port
- |9| sensor head B connection port
- |10| sensor head C connection port
- |11| External input and output  
terminal (see accessories IO-EXP-AOD5)

## Adjustment possible

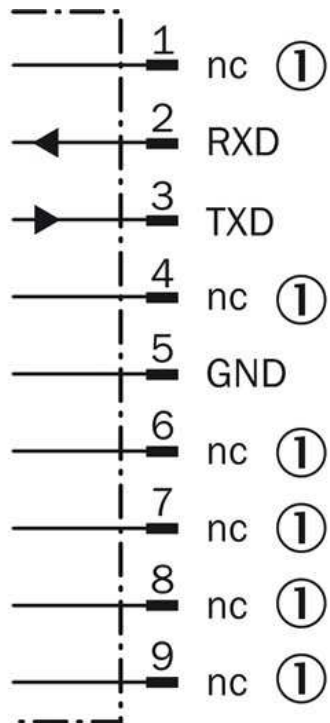


- |7| Control elements

## Connection diagram RS-232C



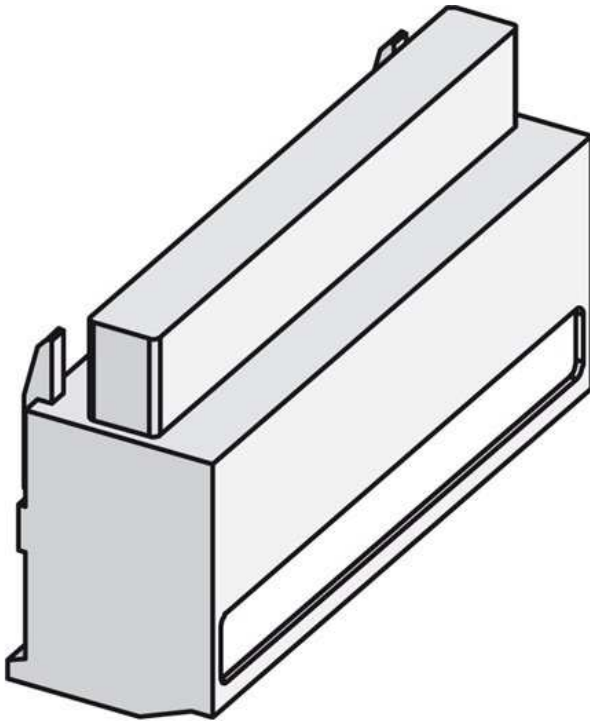
## Connection diagram RS-232C



① | not connected

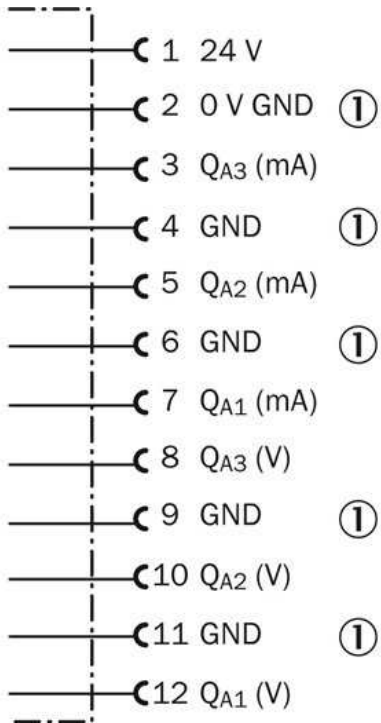
## Connection type terminal board

---



## Connection diagram terminal board

---



① Ground (0 V)

**Australia**

Phone +61 3 9457 0600  
1800 33 48 02 – tollfree  
E-Mail sales@sick.com.au

**Belgium/Luxembourg**

Phone +32 (0)2 466 55 66  
E-Mail info@sick.be

**Brasil**

Phone +55 11 3215-4900  
E-Mail marketing@sick.com.br

**Canada**

Phone +1 905 771 14 44  
E-Mail information@sick.com

**Česká republika**

Phone +420 2 57 91 18 50  
E-Mail sick@sick.cz

**China**

Phone +86 4000 121 000  
E-Mail info.china@sick.net.cn  
Phone +852-2153 6300  
E-Mail ghk@sick.com.hk

**Danmark**

Phone +45 45 82 64 00  
E-Mail sick@sick.dk

**Deutschland**

Phone +49 211 5301-301  
E-Mail info@sick.de

**España**

Phone +34 93 480 31 00  
E-Mail info@sick.es

**France**

Phone +33 1 64 62 35 00  
E-Mail info@sick.fr

**Great Britain**

Phone +44 (0)1727 831121  
E-Mail info@sick.co.uk

**India**

Phone +91-22-4033 8333  
E-Mail info@sick-india.com

**Israel**

Phone +972-4-6881000  
E-Mail info@sick-sensors.com

**Italia**

Phone +39 02 27 43 41  
E-Mail info@sick.it

**Japan**

Phone +81 (0)3 5309 2112  
E-Mail support@sick.jp

**Magyarország**

Phone +36 1 371 2680  
E-Mail office@sick.hu

**Nederland**

Phone +31 (0)30 229 25 44  
E-Mail info@sick.nl

**Norge**

Phone +47 67 81 50 00  
E-Mail sick@sick.no

**Österreich**

Phone +43 (0)22 36 62 28 8-0  
E-Mail office@sick.at

**Polska**

Phone +48 22 837 40 50  
E-Mail info@sick.pl

**România**

Phone +40 356 171 120  
E-Mail office@sick.ro

**Russia**

Phone +7-495-775-05-30  
E-Mail info@sick.ru

**Schweiz**

Phone +41 41 619 29 39  
E-Mail contact@sick.ch

**Singapore**

Phone +65 6744 3732  
E-Mail sales.gsg@sick.com

**Slovenija**

Phone +386 (0)1-47 69 990  
E-Mail office@sick.si

**South Africa**

Phone +27 11 472 3733  
E-Mail info@sickautomation.co.za

**South Korea**

Phone +82 2 786 6321/4  
E-Mail info@sickkorea.net

**Suomi**

Phone +358-9-25 15 800  
E-Mail sick@sick.fi

**Sverige**

Phone +46 10 110 10 00  
E-Mail info@sick.se

**Taiwan**

Phone +886 2 2375-6288  
E-Mail sales@sick.com.tw

**Türkiye**

Phone +90 (216) 528 50 00  
E-Mail info@sick.com.tr

**United Arab Emirates**

Phone +971 (0) 4 88 65 878  
E-Mail info@sick.ae

**USA/México**

Phone +1(952) 941-6780  
1 (800) 325-7425 – tollfree  
E-Mail info@sickusa.com

More representatives and agencies  
at [www.sick.com](http://www.sick.com)