

Mechanical pressure switch S4250

Accurate changeover switch
with adjustable hysteresis



Description

Mechanical pressure switch with a membrane or piston sensing element and one switched output as a changeover contact for converting pneumatic and hydraulic pressures into an electrical switching signal.

An adjustment screw allows setpoints to be easily adjusted, even in situ. The setpoint may optionally be factory preadjusted. The series S4250 switches also have adjustable hysteresis, which makes them attractive for a great variety of applications.

The switch with membrane is suitable for media such as compressed air, non-aggressive liquids or self-lubricating fluids. The standard piston version can be used for self-lubricating fluids, other media on request. It is available as standard with a 1/4" thread galvanized steel process connection. Other threads and materials, including brass and stainless steel are optionally available. The switch can be installed in any desired mounting position.

Features

- Adjustable hysteresis
- L-plug IP 65
- Change-over contact
- Many thread variants
- Membrane versions up to 16 bar
- Pistontype up to 320 bar
- RoHS-conform

Applications

- Mechanical engineering
- Plant construction
- Hydraulic
- Pneumatic

Adjustment ranges (bar) ³⁾	Overload limit (bar)	Repeat-ability (bar) ¹⁾	Max. hysteresis (% FS)	Measuring principle	Switching function
					SPDT
0..2	60 ²⁾	± 0,04	See diagramm, page 3	Membrane	S4250B071001
0,5..8		± 0,16			S4250B144001
1..16		± 0,32			S4250B076001
10..30	350 ²⁾	± 0,6		Piston	S4250B133001
10..80		± 1,6			S4250B153001
10..120		± 2,4			S4250B866001
10..160		± 3,2			S4250B082001
20..200		± 4,0			S4250B083001
20..250		± 5,0			S4250B084001
30..320		± 6,4			S4250B085001

¹⁾ The repeatability refers to 20°C

²⁾ Higher pressures on request

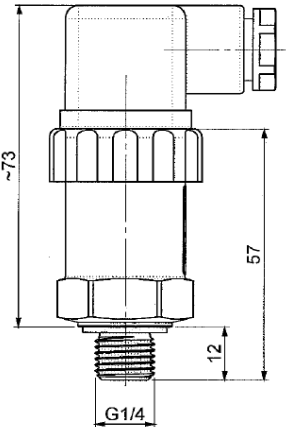
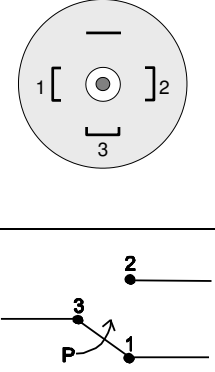
³⁾ Other ranges on request

Model: S4250

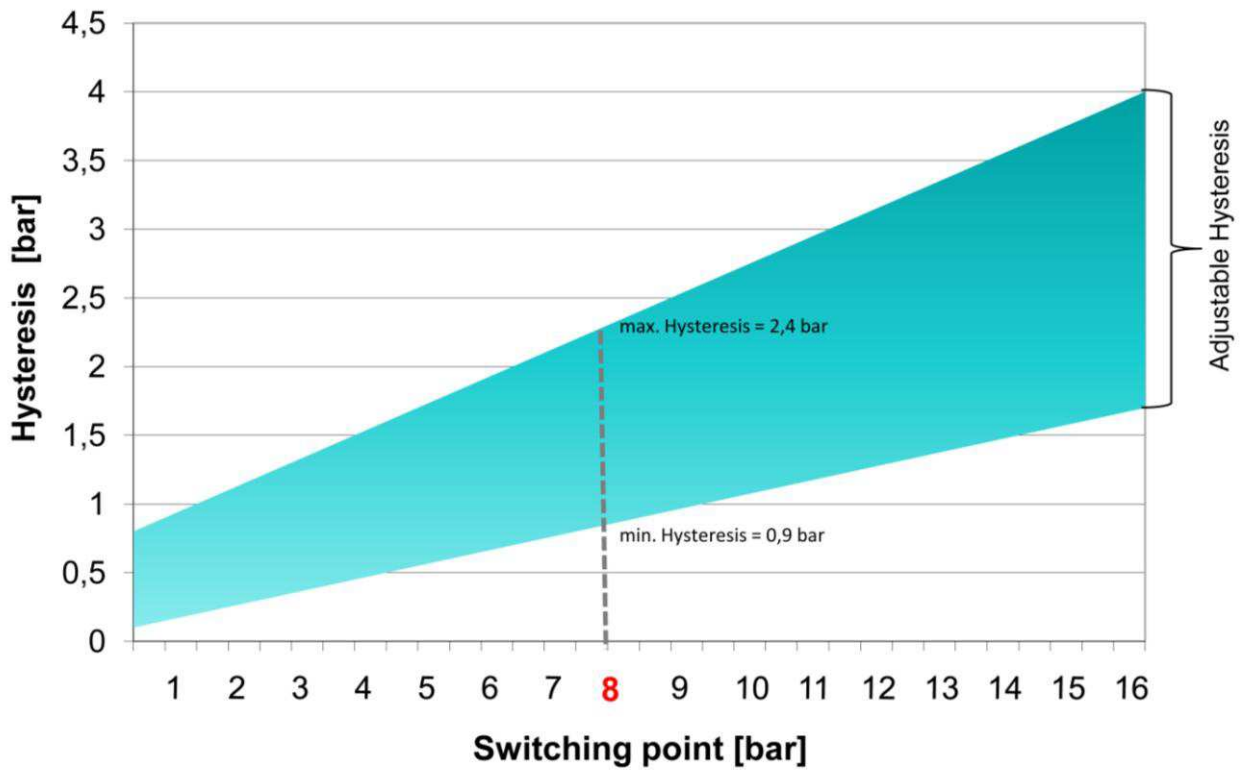
Technical data

Mechanical pressure switch	
Model	S4250
Execution	positive gauge pressure
Media	compressed air, neutral fluid, self-lubricating fluid
Process connection standard optional	G1/4 G1/8, M10x1, NPT1/8, NPT1/4
Measuring principle	spring loaded membrane ≤ 16 bar, spring loaded piston > 16 bar
Materials Measuring element standard Thread standard optional Housing standard optional	Membrane type Piston type NBR Steel, static: NBR, dynamic: PTFE zinc plated steel others on request zinc plated steel, contact insert plastic others on request
Switching outputs Number Switching function Switching element standard Adjustment standard option	1 SPDT microswitch silver plated contacts in site, with adjustment screw factory adjusted
Hysteresis	Adjustable
Power rating¹⁾ DC up to 28 V AC up to 125 V up to 250 V	2 A 4 A 4 A
Load cycles	max. 100/min
Temperature ranges	-20°C...+80°C
Electrical connection	L-plug acc. to DIN EN 175301-803
Protection type	IP65
Mounting position	any
Weight	~ 0,1 kg

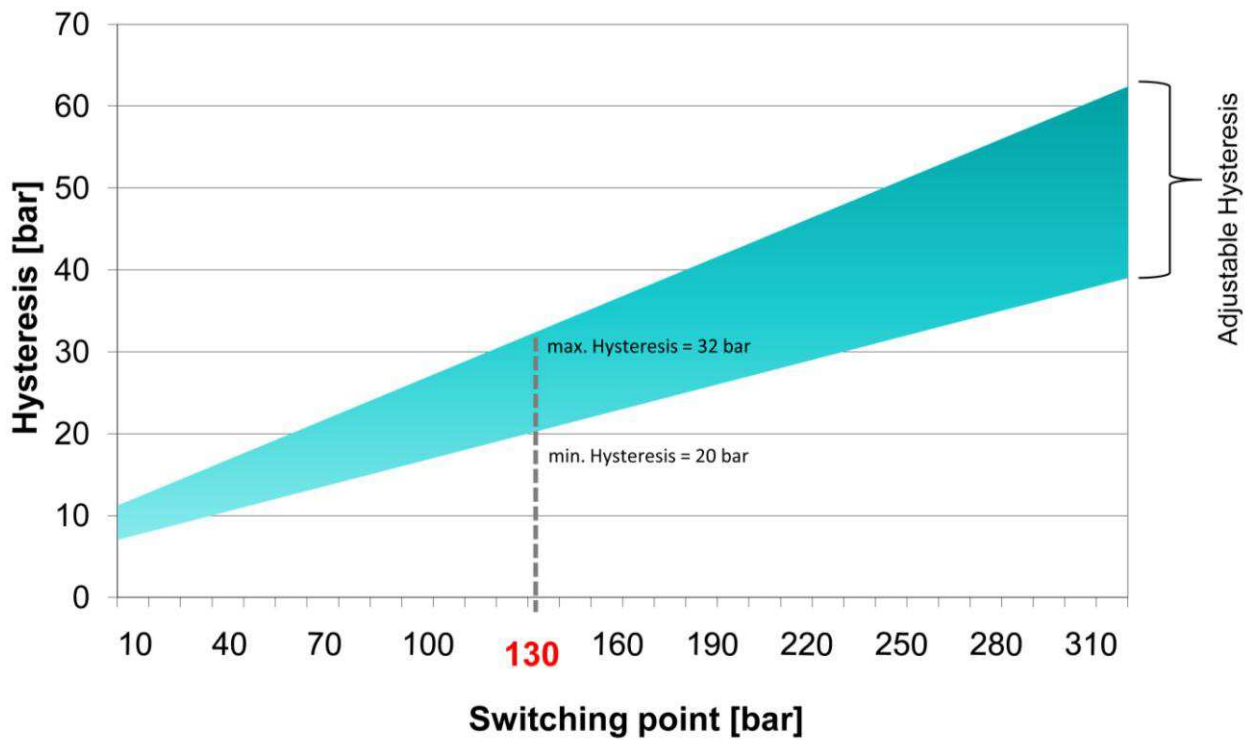
¹⁾ All specification for ohmic load. For voltages > 42 V regulation for protective means have to be regarded!

Dimensions (in mm)	Electrical connection SPDT
	

Adjustable Hysteresis (membrane type)



Adjustable Hysteresis (piston type)



Subject to technical alternations