

Standard pressure gauges

Nominal size ND 80, 100 and 160

Connection position bottom, radial
or back, central

Option:
for sanitary and heating



Description

Pressure gauges of the comprehensive standard can be used in all applications where liquid and gaseous media are not highly viscous or do not attack copper alloys or crystallize.

All standard pressure gauges comply with general international recommendations for measuring systems and take requirements for specific applications and technical standards into consideration (EN 837-1).

The rear central connection enables simple conversion to the panel mounted version.

Special features

- o Plastic-case ABS
- o Copper alloy measuring system
- o Accuracy class 1.6

Measuring Ranges

0 ... 0.6 bar to 0 ... 400 bar

Applications

Pneumatic control systems
Air-conditioning
Sprinkler systems

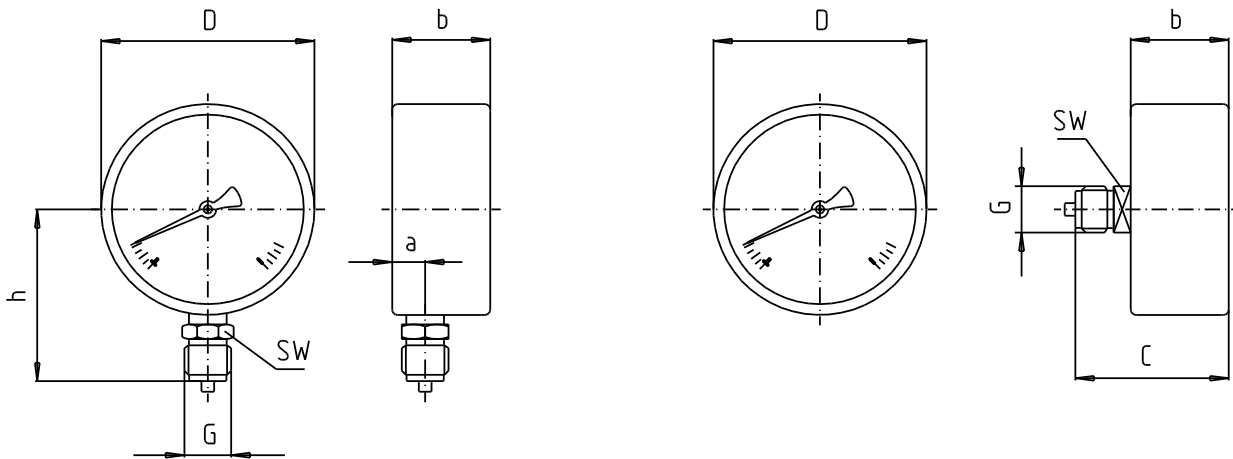
**Models: P1440, P1442, P1444,
P1446, P1495**

Technical data

Models	P1440	P1442	P1444	P1446	P1495	Options
Nominal size	80		100		160	
Symbol						
Accuracy class	1.6 to EN 837-1					
Ranges	0 ... 0.6 bar to 0 ... 400 bar negative or positive, or negative and positive gauge pressure				0 ... 1 bar up to 0 ... 40 bar divided in mWS for hydrometers	
Application	constant load: 3/4 x of full scale value alternating load: 2/3 x of full scale value short-time: full scale value					
Case	plastic, black (ABS)			steel, black	steel, black	
Bezel	none			steel, chrome plated		
Window	plexiglass, clipped-on				glas lens	
Dial	aluminium white, scale black		aluminium white, scale black and red marker pointer			glass lens ¹⁾
Pointer	aluminium, black					
Movement	CuZn alloy					
Measuring element	Cu alloy					
Pressure connection - position	radial bottom		back central	radial bottom	back central	radial bottom
- thread	G 1/2 B		G 1/4 B	G 1/2 B	G 1/4 B	G 1/2 B
	NPT threads					
Temperatures - Media - Ambient	Tmax. 60°C Tmin. -40°C, Tmax. 60°C					
Temperature behaviour	0.4 % /10K if deviation from normal temperature 20°C					
Throttle	without					
	ø 0.4 ; ø 0.8					
Weight approx.	0.18 kg	0.11 kg	0.21 kg	0.26 kg	0.85 kg	

¹⁾ Only in combination with metal case and ring

Dimensions



Models: P1440, P1444, P1495

Models: P1442, P1446

Models	Dimensions in mm							
	ND	a ± 0.5	b ± 0.5	c ± 0.5	D ± 0.5	h ± 1	G	SW
P1440	80	11.5	30	--	79	72	G 1/2 B	22
P1442	80	--	32	49	79	--	G 1/4 B	14
P1444	100	11.5	30	--	99	83.5	G 1/2 B	22
P1446	100	--	31	49	99	--	G 1/4 B	14
P1495	160	15.5	41.5	--	160	115.5	G 1/2 B	22

Modifications reserved