

Thermowells with compression fitting

for use with cable sensors and thermometer with plain stem

Description

These thermowells are designed for use with cable sensors or thermometer with plain stem. The PTFE clamping ring connection lets the thermometer be removed and re-used at any time. Also models with cable glands are available. Cable sensors will be completely protected by these thermowells and the sensors will be fixed to the thermowell on the cable. As standard, these thermowells are made of stainless steel or brass.

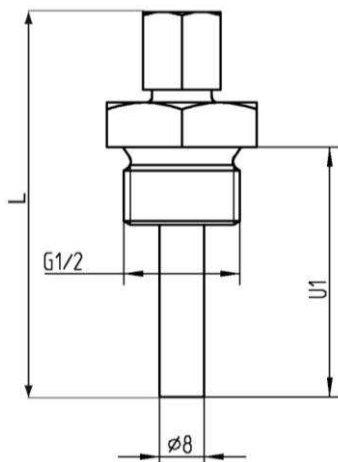


Technical Data

Model	TW98K	TW99K
Material	brass	stainless steel
Connection to thermometer	compression fitting with PTFE clamp optional: cable gland	
Version	standard: built up solid drilled versions on request	
Bore size	6,2 mm	
Outer diameter	8 mm	
Process connection	G1/2; others on request	
Insertion length U_1	standard: 45, 75, 100 mm	
Total length L	$L = U_1 + 25$ mm	
Max. pressure (static) ¹⁾	6 bar	40 bar
Max. temperature	160°C	400°C

1) Rating depends on the parameters process medium, process pressure and temperature, flow rate and design of thermowell. In critical applications an additional calculation is recommended.

Dimensions



Priority articles

Article number	Insertion length U_1	Material
TW98KX202001	45 mm	brass
TW98KX202002	75 mm	
TW98KX202003	100 mm	
TW99KX202001	45 mm	stainless steel
TW99KX202002	75 mm	
TW99KX202003	100 mm	

Subject to technical changes

Model: TW98K, TW99K