

Screwing-in thermowell

Solid drilled

International standard

for thermometer with male thread



Description

These thermowells TW99i have to be screwed-in into the process. They resist high stresses caused by strong vibrations, flow rates, high pressures and temperatures.

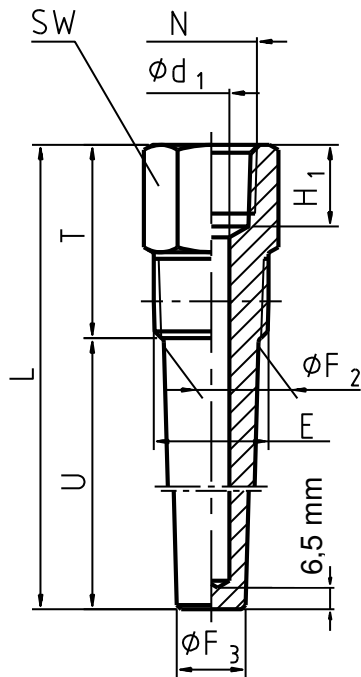
Technical data

Model	TW99i
Max. process temperature¹⁾	600°C
Max. process pressure (statical)¹⁾	150 bar
Thermowell material	
Standard	Stainless steel 316L ; 316 Ti (1.4571)
Optional	Hastelloy C4, Hastelloy C276, Monel400, others
Root diameter	16mm, 22mm, 27mm
Connection to thermometer	½NPT female, G½ female
Process connection	½NPT, ¾NPT, 1NPT
Bore size	6,6mm, 8,5mm
Insertion length U	75mm, 100mm, 150mm, 200mm / 2½, 4½", 7½"
Head length T	Minimum: 45mm
Total length L	Insertion length U + Head length T

¹⁾ The rating depends on the process medium, -pressure, -temperature, flow rate and the design of the thermowell. With critical applications, a separate wake frequency calculation is recommended.

Model: TW99i

Dimensions



Legend

E	Process connection
H ₁	Bore depth for female thread
L	Total length
N	Connection to thermometer
SW	Width across flats
T	Head length
U	Insertion length
Ød ₁	Bore size
ØF ₂	Root diameter
ØF ₃	Tip diameter

E	N	Ød ₁	ØF ₂	ØF ₃	H ₁	T	SW
1/2 NPT	1/2 NPT G1/2	6,6	16	13	19	min. 45mm	27
		8,5					
3/4 NPT		6,6	22	16			
		8,5					
1 NPT		6,6	27	19			36
		8,5					

Suitable thermometer stem length I₁

Design of connection	Head length T	Thermometer stem length I ₁
S standard, male thread	Standard: 45mm	I ₁ = L - 10mm

Subject to technical modifications